
User's guide for:

MUZZLELOADING FIREARMS

CHIAPPA
firearms

Official Sponsor



**ATTENTION: BEFORE REMOVING THE FIREARM FROM ITS PACKAGE
READ & UNDERSTAND WARNINGS AND FULL INSTRUCTIONS AND
PRECAUTIONS IN THIS OWNER'S MANUAL**

CHIAPPA FIREARMS

Chiappa Firearms is the brand new trade mark representing the arms manufacturers group of the Chiappa's Family (founders of Armi Sport in far 1958) that reunite two brands leaders in their fields:

ARMI SPORT: Producing perfectly working replicas of muzzle loading and breech loading firearms, with a complete and appreciated product line from American Independence War models to the mythical Lever Action rifles of epic Western era.

KIMAR: Producing blank firing and signal pistol, air guns and defence guns.

The two brands attend the international markets from many years, especially Armi Sport that is knew by most exigent shooters, collectors and by the most important shooting and historical associations from all over the world, for the reliability, the safety, the fidelity to the original models, the artisan finishing accuracy and the optimum quality price report of all their models.

From the beginning of 2007 the Group gave an official mark to the own presence on the American market founding the CHIAPPA FIREARMS Ltd, with a convenient location in Dayton (Ohio) can provide better assistance to the distributors of Armi Sport and Kimar products throughout the USA .

So CHIAPPA FIREARMS will be the brand new logo for the distribution and the guarantee protection of Armi Sport and Kimar products in the world and it'll warrant the flexibility production and the research applied to the technical resource that have permitted in the last years the constant and continuing expansion of the group.

Chiappa Firearms is the arms manufacturers group that include the brand

INDEX

<i>Warnings</i>	4
<i>The fundamentals of safe gun handling are</i>	5
<i>Muzzle loading models</i>	8
<i>Pistols and rifles parts nomenclature</i>	10
<i>Muzzle loading firearms instruction of use</i>	12
<i>Precautions</i>	12
<i>Percussion firearms loading</i>	12
<i>Flintlock firearms loading</i>	13
<i>“Stecher” system</i>	14
<i>Disassembly and cleaning</i>	14
<i>Ordinary cleaning</i>	16
<i>Extraordinary cleaning</i>	16
<i>Rear sight and front sight regulation</i>	17
<i>Marking</i>	17
<i>Ordinary and extraordinary maintenance</i>	18
<i>Note on historical design</i>	19
<i>Reloading charts</i>	19
<i>Exploded views and component</i>	20
<i>Warranty</i>	58
<i>Warranty Card</i>	61
<i>OWSS Group</i>	63

WARNINGS

Armi Sport is not responsible for damage to objects caused by misuse of the gun or for injuries to person or animals, or in case of death, caused voluntarily or involuntarily by the gun user.

Armi Sport is not responsible for injuries caused by poor maintenance, misuse of the gun, unauthorized or improper modifications.

Armi Sport declines responsibility for the indirect consequences of any injuries and / or death of persons or animals, damage to objects caused by use of the gun or by primer explosion, by bullet's ricochet, or unsafe loading practices and or procedure.

The gun you own is an accurate 19th century replica. Consequently the safety devices on it are limited to the technological knowledge of the period. Therefore the risks in using a gun like this are higher compared to a modern gun design.

The complete and full knowledge of your firearm may help you to avoid serious injuries due to lack of safety devices.

Read the entire manual and learn the proper use of the gun without live ammunition. It is important that you understand the proper use of this product. The life of the people close to you may depend on your safety.

If the manual is not clear, please contact the dealer where you bought the gun or call the distributor or the manufacturer by using the contact information provided within this manual.

All the guns are tested in the Armi Sport facility. To guarantee the gun is safe, it is sent to the National Proof House of Gardone Val Trompia – BRESCIA – ITALY - for proof testing.

The Proof House test the firearm with heavy loads then checks the barrel, chamber and headspace to make certain the firearm is safe for use with standard factory ammunition.

The National Proof House will put their markings on the gun, according to

The Italian law, certifying the gun is qualified and can be sold.

THE COURT OF BRESCIA - ITALY, WILL SETTLE ALL DISPUTES.

The fundamentals of safe gun handling are:

1. **ALWAYS keep the gun pointed in a safe direction.**

This is the primary rule of gun safety. A safe direction means that the gun is pointed so that even if it were to go off it would not cause injury or damage. The key to this rule is to control where the muzzle or front end of the barrel is pointed at all times. Common sense dictates the safest direction, depending on different circumstances.

2. **ALWAYS keep your finger off the trigger until ready to shoot.**

When holding a gun, rest your finger on the trigger guard or along the side of the gun. Until you are actually ready to fire, do not touch the trigger.

3. **ALWAYS keep the gun unloaded until ready to use.**

Whenever you pick up a gun, immediately engage the safety device if possible, and, if the gun has a magazine, remove it before opening the action and looking into the chamber(s) which should be clear of ammunition. If you do not know how to open the action or inspect the chamber(s), leave the gun alone and get help from someone who does.

When using or storing a gun, always follow these rules:

Know your target and what is beyond.

Be absolutely sure you have identified your target beyond any doubt. Equally important, be aware of the area beyond your target. This means observing your prospective area of fire before you shoot. Never fire in a direction in which there are people or any other potential for mishap. Think first. Shoot second.

Know how to use the gun safely.

Before handling a gun, learn how it operates. Know its basic parts, how to safely open and close the action and remove any ammunition from the gun or magazine. Remember, a gun's mechanical safety device is never foolproof. Nothing can ever replace safe gun handling.

Be sure the gun is safe to operate.

Just like other tools, guns need regular maintenance to remain operable. Regular cleaning and proper storage are a part of the gun's general upkeep. If there is any question concerning a gun's ability to function, a knowledgeable gunsmith should look at it.

Use only the correct ammunition for your gun.

Only cartridges or shells designed for a particular gun can be fired safely in that gun. Most guns have the ammunition type stamped on the barrel. Ammunition can be identified by information printed on the box and sometimes stamped on the cartridge. Do not shoot the gun unless you know you have the proper ammunition.

Wear eye and ear protection as appropriate.

Guns are loud and the noise can cause hearing damage. They can also emit debris and hot gas that could cause eye injury. For these reasons, shooting glasses and hearing protectors should be worn by shooters and spectators.

Never use alcohol or over-the-counter, prescription or other drugs before or while shooting.

Alcohol, as well as any other substance likely to impair normal mental or physical bodily functions, must not be used before or while handling or shooting guns.

Store guns so they are not accessible to unauthorized persons.

Many factors must be considered when deciding where and how to store guns. A person's particular situation will be a major part of the consideration. Dozens of gun storage devices, as well as locking devices that attach directly to the gun, are available. However, mechanical locking devices, like the mechanical safeties built into guns, can fail and should not be used as a substitute for safe gun handling and the observance of all gun safety rules.

Be aware that certain types of guns and many shooting activities require additional safety precautions.

Cleaning

Regular cleaning is important in order for your gun to operate correctly and safely. Taking proper care of it will also maintain its value and extend its life. Your gun should be cleaned every time that it is used. A gun brought out of prolonged storage should also be cleaned before shooting. Accumulated moisture and dirt, or solidified grease and oil, can prevent the gun from operating properly.

Before cleaning your gun, make absolutely sure that it is unloaded. The gun's action should be open during the cleaning process. Also, be sure that no ammunition is present in the cleaning area.

1. *Read the instructions carefully before use.*
2. *Be aware that you are handling a firearm; therefore your knowledge and behaviour may affect your life and those of the people close to you.*
3. *Reading the manual and the careful examination of the gun are fundamental to avoid any kind of problem.*
4. *Guns and ammunition must be kept in different locations.*
5. *After use, store firearm in a safe place, not accessible to others.*
6. **ALWAYS** *keep guns and ammunitions out of reach of children.*
7. *Store gun in a clean dry and airy place after use to avoid rust in mechanical parts that may cause serious problems in functioning after inactivity period.*
8. *After use it is always recommended to clean, oil and lubricate the gun with good quality oil. Read "ORDINARY CLEANING" page 13*
9. *The gun must **ALWAYS** be stored unloaded, **ALWAYS** check that the barrel is free of obstruction.*
10. *There isn't a modern safety on this gun, because it's an original replica. Pay great attention during transporting and using. Mechanical safety devices can fail. Developing intelligent and good safety habits is the best way to prevent accidents.*
11. *The only safety is the hammer half cock, read chapter on firearms use. REMEMBER: No one mechanical safety device is infallible.*
12. **ALWAYS** *keep the gun unloaded when transporting from home to the shooting areas. Powder and primers must be stored in separated boxes.*
13. *Keep away from fire or heating sources.*
14. *When loading the gun, use only quality powder and recommended dosage to avoid that too high pressure may cause the explosion of the barrel. Use of improper different powders and quantity may cause serious injury to the shooter or bystanders.*
15. *When you walk around with the gun in a shooting area, ALWAYS keep the muzzle pointed in a safe direction.*
16. **ALWAYS** *check to ensure that the barrel is free of obstructions*
17. *After use, clean and lubricate the inside of the barrel with appropriate oil. Avoid grease or oil build up that can cause excessive pressure and result in serious personal injuries. Before using the gun again, inspect the barrel and chamber to make certain that there are no patches or other obstructions in the bore. Remove any oil residue with rod and dry patch before shooting.*

18. *Accumulation of rust in the barrel can cause excessive pressures resulting in serious injury and may cause the explosion of the barrel. A rusted, pitted or eroded barrel should be replaced.*
19. *Always wear shooting glasses when shooting to protect your eyes.*
20. *Use hearing protection to prevent hearing loss from repeated exposure to gunfire.*
21. **NEVER** *modify any parts of your gun. Any alteration may cause serious personal injury and cancels the warranty.*
22. *Only a qualified gunsmith may service the gun for repair or serious maintenance.*
23. *Pay special attention to the percussion caps, during ignition, the cap may explode into little parts and may cause serious personal injury.*
24. *Wash hands thoroughly after shooting and handling firearms to remove any unwanted residues.*
25. *In case of misfire, keep the firearms in shoot direction for some minutes; it could be a retarded burst.*
26. *Pay attention during loading operation do not load two times, a double charge may cause the barrel explosion.*
27. *Armi Sport declines any responsibility for misuse of the firearms.*
28. *In case of alteration of the firearms, Armi Sport declines any civil and penal responsibility and will not refund any damage.*
29. *The user is responsible for injuries or damages caused to him or to other persons.*
30. *Do not use alcohol or drugs before or during shooting session and handling guns.*
31. *When shooting if you hear a weak detonation or different sound, stop immediately, unload the gun and inspect immediately for damages or obstructions. NEVER shoot with a damaged firearm or obstructed barrel.*
32. *NEVER run with a loaded gun, don't cross obstacle (fences or water courses, exc.) without having your firearm unloaded and in safety position.*

*Armi Sport is proud to introduce the range of our
MUZZLE LOADING ITEMS*

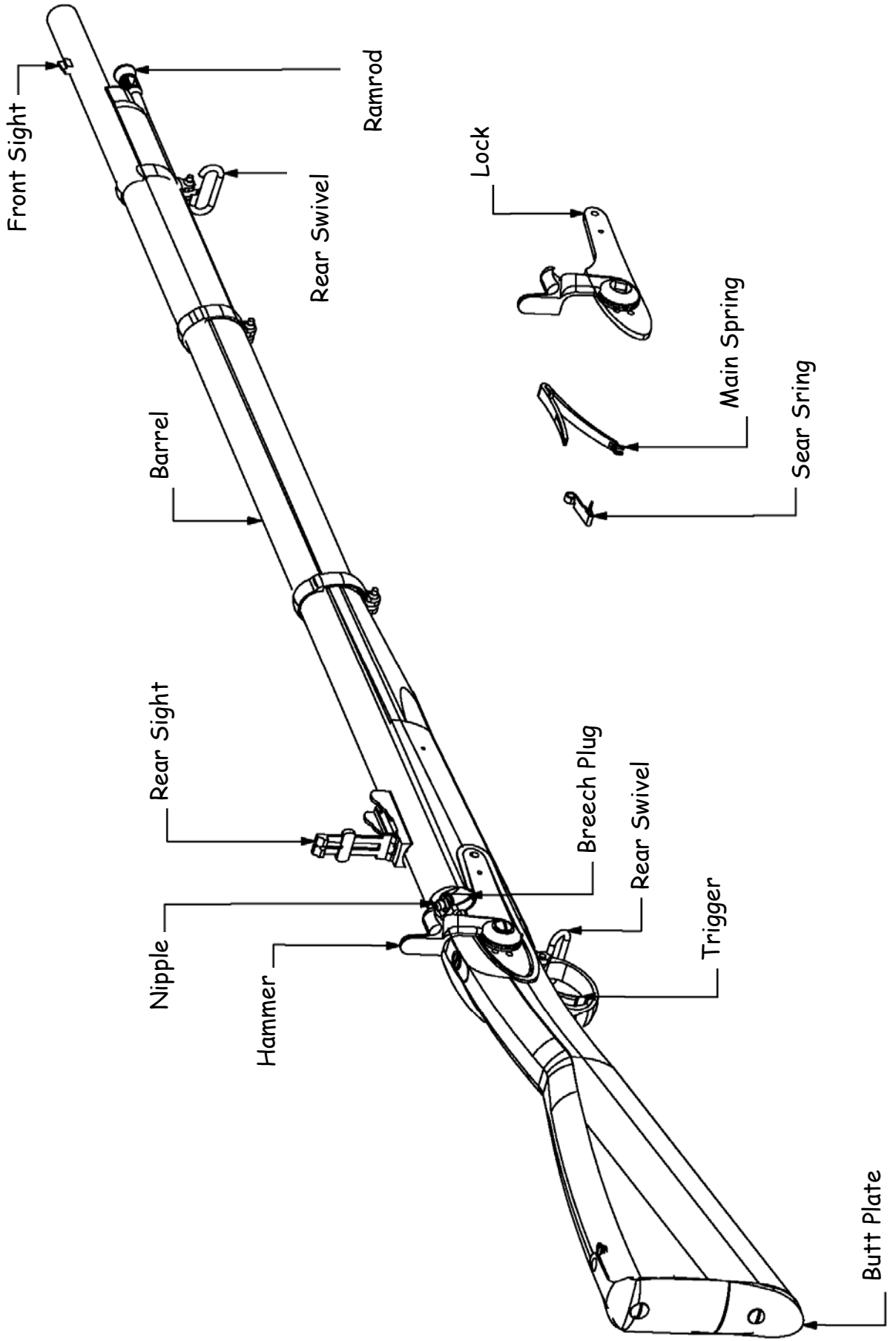
RIF. ARTICOLO	DESCRIZIONE	ACCIARINO	CALIBRO	LUNGH. CANNA	LUNGT OT	N. DI RIGHE	PASSO RIGATURA (MM)	FILETTO LUMIN.	PESO KG.
900.000	1842 SPRINGFIELD MUSKET	Percussion	.69	42"	58"	SMOOTH BORE		M8X1	4,8
910.005	1842 SPRINGFIELD MUSKET	Percussion	.69	42"	58"	3	1X1660	M8X1	4,8
910.040	1842 SPRINGFIELD SHORT RIFLE	Percussion	.69	33"	49"	3	1X1660	M8X1	4
910.000	1861 SPRINGFIELD MUSKET	Percussion	.58	40"	56"	3	1X1660	M8X1	4,6
910.002	1855 SPRINGFIELD MUSKET	Percussion	.58	40"	56"	3	1X1660	M8X1	4,6
910.001	1862 RICHMOND MUSKET	Percussion	.58	40"	56"	3	1X1660	M8X1	4,6
910.034	1855 SPRINGFIELD 2° MODEL	Percussion	.58	40"	56"	3	1X1160	M8X1	4,6
910.006	1863 ZOUAVE MUSKET	Percussion	.58	33"	49"	3	1X1660	M8X1	3,6
910.039	1863 ZOUAVE MUSKET MATCH	Percussion	.58	33"	49"	7	1X720	M8X1	3,6
910.007	1863 ZOUAVE CARBINE	Percussion	.58	25"	40"	3	1X1660	M8X1	3
900.001	1863 ZOUAVE MUSKET	Percussion	.58	33"	49"	SMOOTH BORE		M8X1	3,6
900.002	1863 ZOUAVE CARBINE	Percussion	.58	25"	40"	SMOOTH BORE		M8X1	3
910.003	1853 ENFIELD MUSKET	Percussion	.58	39"	55"	3	1X1660	M8X1	4
910.004	1858 ENFIELD MUSKET	Percussion	.58	33"	49"	3	1X1660	M8X1	3,8
910.008	KENTUCKY RIFLE	Percussion	.45	35"	50"	6	1X920	M6	3
910.009	KENTUCKY RIFLE	Percussion	.50	35"	50"	8	1X920	M6	3
911.000	KENTUCKY RIFLE	Flintlock	.45	35"	50"	6	1X920		3
911.001	KENTUCKY RIFLE	Flintlock	.50	35"	50"	8	1X920		3
911.004	KENTUCKY RIFLE PHOTOENGRAVED	Flintlock	.45	35"	50"	6	1X920		3
911.005	KENTUCKY RIFLE PHOTOENGRAVED	Flintlock	.50	35"	50"	8	1X920		3

RIF. ARTICOLO	DESCRIZIONE	ACCIARINO	CALIBRO	LUNGH. CANNA	LUNGT OT	N. DI RIGHE	PASSO RIGATURA (MM)	FILETT O LUMIN.	PESO KG.
910.031	KENTUCKY RIFLE PHOTOENGRAVED	Percussion	.45	35"	50"	6	1X920	M6	3
910.032	KENTUCKY RIFLE PHOTOENGRAVED	Percussion	.50	35"	50"	8	1X920	M6	3
940.000	KENTUCKY PISTOL	Percussion	.45	10"	15" ¾	8	1x540	M6	1
940.003	KENTUCKY PISTOL	Flintlock	.45	10"	15" ¾	8	1X540		1
940.020	KENTUCKY PISTOL PHOTOENGRAVED	Percussion	.45	10"	15" ¾	8	1x540	M6	1
940.021	KENTUCKY PISTOL PHOTOENGRAVED	Flintlock	.45	10"	15" ¾	8	1x540		1
940.011	KENTUCKY PISTOL DELUXE ABS CASE	Percussion	.45	10"	15" ¾	8	1x540	M6	1
940.012	KENTUCKY PISTOL DELUXE ABS CASE	Flintlock	.45	10"	15" ¾	8	1x540		1
940.007	KENTUCKY PISTOL WOODEN CASE	Percussion	.45	10"	15" ¾	8	1x540	M6	1
940.008	KENTUCKY PISTOL WOODEN CASE	Flintlock	.45	10"	15" ¾	8	1x540		1
940.002	CONNECTICUT PISTOL	Percussion	4,5 mm	10"	15" ¾	8	1x380	M6	1
940.013	CONNECTICUT PISTOL DELUXE ABS CASE	Percussion	4,5 mm	10"	15" ¾	8	1x380	M6	1
940.009	CONNECTICUT PISTOL WOODEN CASE	Percussion	4,5 mm	10"	15" ¾	8	1x380	M6	1
940.030	NAPOLEON LE PAGE PISTOL MATCH	Percussion	.45	10"	16" ½	8	1X540	M6	1
940.031	ROCHATTE A PARIS	Percussion	.36	10" 1/4	400	7	1x380	M6	0,9
940.032	ROCHATTE A PARIS	Percussion	.44	10" 1/4	400	7	1x460	M6	0,9
940.022	NAPOLEON LE PAGE ENGRAVED	Percussion	.45	10"	16" ½	8	1X540	M6	1
940.001	NAPOLEON LE PAGE PISTOL	Percussion	.45	10"	16" ½	8	1X540	M6	1
940.019	NAPOLEON LE PAGE PISTOL	Percussion	4,5 mm	10"	16" ½	8	1x380	M6	1
940.029	NAPOLEON LE PAGE Interchangeable barrel	Percussion	.45-4,5	10"	16" ½	8	1X540	M6	1

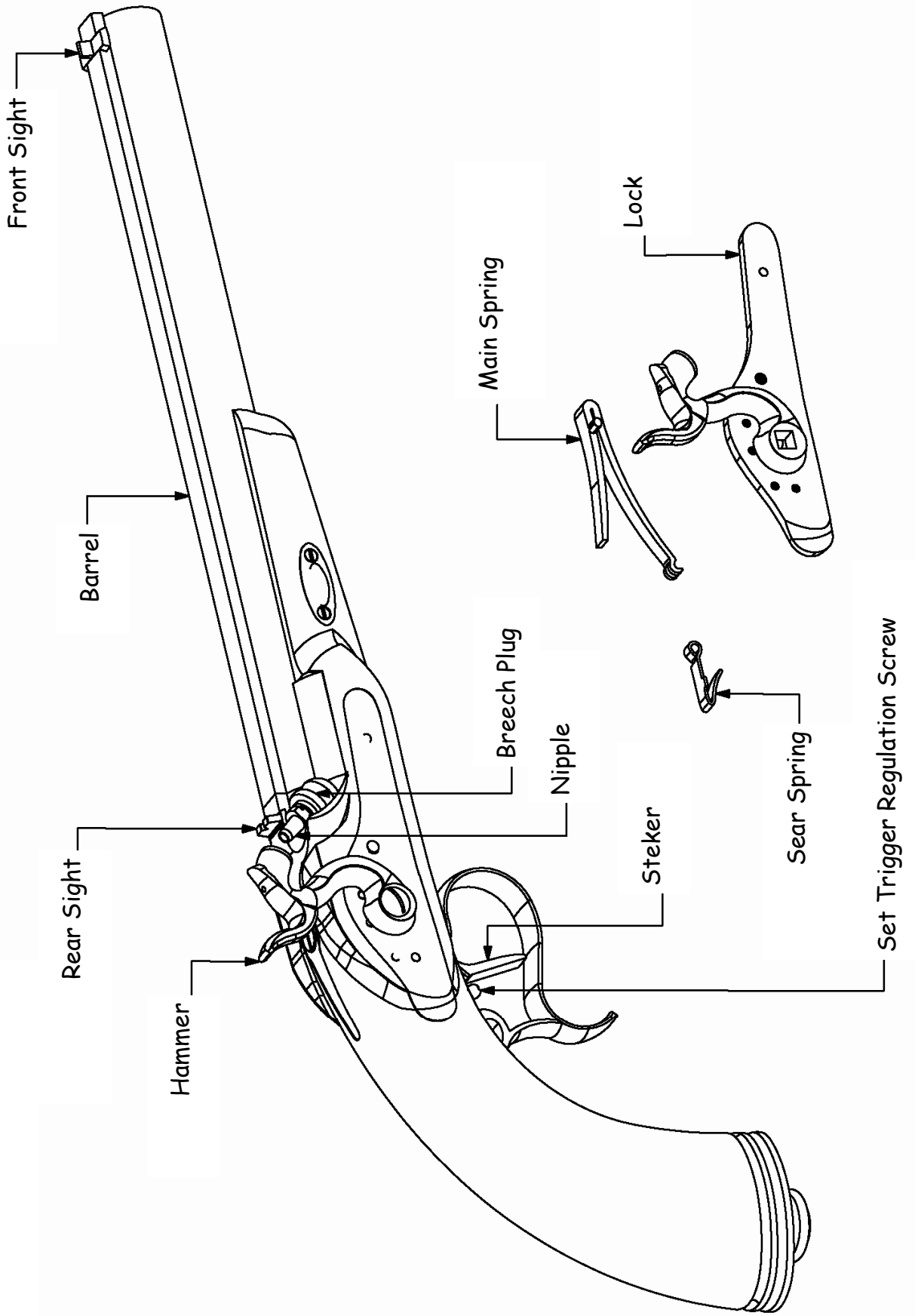
Each firearm is duly submitted to strong testing, to grant the highest security of the product, to the Italian Proof in Gardone Val Trompia.

On request we may add high quality and precious hand engravings in each firearms.

Muzzle Loading Rifle Essential parts Name



Muzzle Loading Pistol Essential parts Name



Instructions for muzzle loading firearms use

Precaution:

- **ONLY USE BLACK POWDER OR APPROPRIATE BLACK POWDER SUBSTITUTE**
- On our firearms on the barrel it is clearly marked “BLACK POWDER ONLY”. Do not use powder different than BLACK POWDER OR APPROPRIATE BLACK POWDER SUBSTITUTE
- Pay attention to keep the powder away from fire or heating sources and don't use boxes that can produce an electrostatic charge.
- Don't smoke while using black powder
- Black powder lays corrosive residues, so it's necessary to wash, clean and then oil particularly, all parts in contact with black powder
- In the next pages you'll find a chart with the correct powder loads to use. It's very important to use only quality powder and recommended loads to avoid high pressures that may cause the explosion of the barrel.
- ALWAYS wear shooting glasses to protect your eyes from debris.
- ALWAYS use hearing protection to prevent loss hearing.
- In case of misfire, keep the firearms in shoot direction for several minutes; it could be a delayed shot.
- NEVER dry fire the gun, you may damage to the shooting mechanism.
- Before shooting, correctly shoulder the gun laying the butt plate firmly against your shoulder.
- Don't put the powder in the barrel directly from the flask, use appropriate plastic bottle, prepared with the right loading dose.
- Use extreme caution and care during loading to prevent a double charge of powder or bullet, which may cause the barrel to explode and cause serious injury or death to you or bystanders.

Percussion Firearms loading:

- Before loading **ALWAYS** check that the barrel is free of obstruction.
- Remove any oil and grease residue with rod and dry patch before shooting.
- After cleaning barrel with brush, keep the firearms in safety shoot direction and make 2 shots only with caps so you can verify that the nipples is free of obstructions and dry the barrel from possible oil residues.
- Put a patch or a piece of rubber on the floor so you won't damage your firearm when you lean it on the ground during loading operation. If you have a pistol put it on a loading board.
- Keep the hammer down before start loading. Keep the firearm with the barrel in upper direction and fill in the black powder previously prepared in appropriate plastic bottles with the right dose (for the right doses look at the next chart). During this operation pay attention don't keep your head or part of your body over the muzzle of the barrel, a sudden burst may seriously injure you.
- Load the black powder using appropriate brass funnel to allow the powder enter easily without sticking along the barrel surface.

- After loading the powder hit with your hand on the side of the firearm close to the lock, so you can perfectly adjust the powder at the base of the nipple.
- Place the bullet on the barrel's muzzle. If you use a round bullet use an oiled patch; place the patch first and then the round bullet and push them inside the barrel by a wood hammer, then keep pushing in the bullet until it reaches the base of the barrel using the appropriate rod. If you use a Miniè bullet (ogival) don't use the patch but grease the bullet directly and proceed as for the round bullet.
- When the bullet is on the base of the barrel is very important not to press too much the powder (it may cause pressure increase) but at the same time the bullet must lay on the powder and have no empty spaces between bullet and powder.
- Now, after keeping firearm in shooting direction, you can cock the hammer in half-cock position and put the cap on the nipple.
- Then cock the hammer in fire position and shoot.
- After every shot before start a new loading wait a few moments so eventual powder residual in the barrel can definitely extinguish.
- Before start a new loading it's a good precaution to put the rod into the barrel so you can check that the barrel is completely free of obstruction.
- During this operation pay attention don't keep your head or part of your body over the muzzle of the barrel, a sudden burst may seriously injure you.
- ALWAYS pay attention to keep away from your body the muzzle of the gun during powder introduction.

Fintlock Firearm Loading :

- Before loading **ALWAYS** check that the barrel is free of obstruction.
- Remove any oil and grease residue with rod and dry patch before shooting.
- When you put the flintlock on the hammer you have to wrap up it in an appropriate lead clamp and then close very well the top jaw screw by a pin. Pay attention when the hammer is in half-cock position the flintlock must not touch the frizzen.
- Put on the floor a patch or a piece of rubber so you won't damage your firearm when you lay it on the ground during loading operation. If you have a pistol put it on the loading board.
- Keep the hammer in half-cock position and the frizzen down before start loading. Keep the firearm with the barrel in upper direction and fill in the black powder previously prepared in appropriate plastic bottles with the right dose (for the right doses look at the next chart). During this operation pay attention don't keep your head or part of your body over the muzzle of the barrel, a sudden burst may seriously injure you.
- Fill in the black powder using appropriate brass funnel to allow the powder to enter easily without sticking along the barrel surface.
- After loading the powder hit with your hand on the side of the firearm close to the lock, so you can perfectly fill up the base of the nipple.
- Place the bullet on the barrel's muzzle. If you use a round bullet use an oiled patch; put the patch first and then the round bullet and push it inside the barrel by a wood hammer, then push in the bullet until you reach the base of the barrel using the appropriate rod.
- When the bullet is on the base of the barrel is very important not to press too much the powder (it may cause pressure increase) but at the same time the bullet must lay on the powder and don't have an empty space between bullet and powder.
- Now, after keeping firearm in shooting direction, you can open the frizzen, and using an appropriate flask pour the fine powder 4F type into the muzzle of lock plate and the

close the frizzen.

- Then cock the hammer in fire position and shoot.
- After every shot before start a new loading wait a few moments so eventual powder residual in the barrel can definitely extinguish.
- Before start a new loading it's advisable to put the rod into the barrel so you can check the barrel is completely free of obstruction.
- ALWAYS pay attention to keep away from your body the muzzle of the gun during powder introduction.

“STECHER” System:

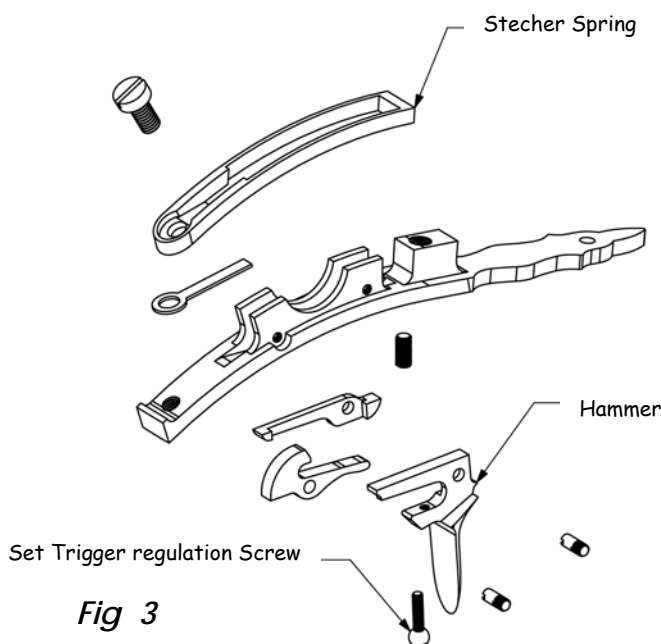
Some of our firearms have a particular shooting system called “STECHER”.

This can be DOUBLE trigger or SINGLE trigger.

First, cock the back trigger that sets a spring, for the “single trigger stecher” the cock is pushing forward the trigger, in this way you charge a spring that will click with light pressure when you'll decide to pull the trigger.

In both versions there is a screw that allows to adjust the trigger pull.

Always adjust this screw with the gun unloaded.



**ATTENTION:
DO NOT
ADJUST THE
TRIGGER TOO
LIGHT**

Disassembling and cleaning :

Military Rifle:

- a. Remove the rod.
- b. Remove the bands that wrap the stock and the barrel. There are two style bands, with and without screw. For the screw style, unscrew the screw; for the bands without screw push the spring so the band can pass over.
- c. Unscrew and remove the tang screw.
- d. To prevent damage to the stock, turn the rifle up side down and softly hit on a smooth surface with the muzzle of the barrel (see fig.4). In this way you can easily disassemble the barrel from the stock.

Kentucky Rifle:

- a. Remove the rod.
- b. Under the rod, you'll find a screw that hold the stock to the barrel. Completely unscrew it.
- c. Remove the forend cap pushing out the pin that fastens it to the barrel using a pin pusher.
- d. Unscrew and remove the tang screw.
- e. To prevent damage to the stock, turn the rifle up side down and softly hit on a smooth surface with the muzzle of the barrel (see fig.4). In this way you can easily disassemble the barrel from the stock.

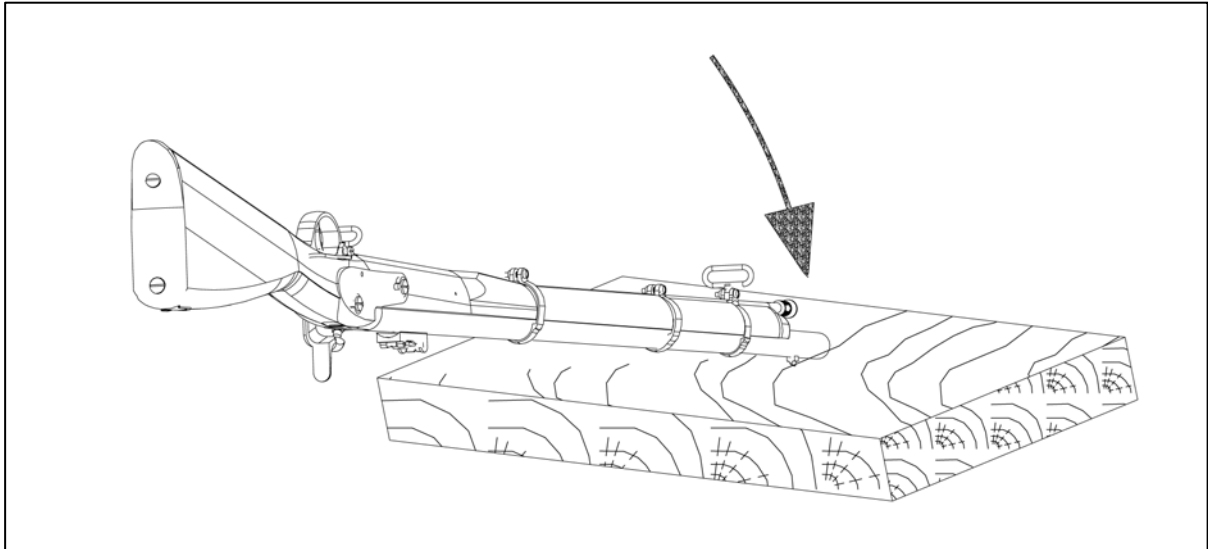


Fig 4

Kentucky Pistol:

- a. Remove the rod.
- b. Under the rod, you'll find a screw that holds the stock to the barrel. Completely unscrew it.
- c. Remove the forend cap pushing out the pin that fastens it to the barrel using a pin pusher.
- d. Unscrew and remove the tang screw.
- e. To prevent damage to the stock, turn the rifle up side down and softly hit on a smooth surface with the muzzle of the barrel (see fig.4). In this way you can easily disassemble the barrel from the stock.

Napoleon Le page and Rochatte Pistol:

- a. Remove the wedge holding the stock to the barrel.
- b. Unscrew and remove the tang screw.
- c. To prevent damage to the stock, turn the rifle up side down and softly hit on a smooth surface with the muzzle of the barrel (see Fig.5). In this way you can easily disassemble the barrel from the stock.
- d. With the Napoleon Le Page model, NEVER remove the nipple base.

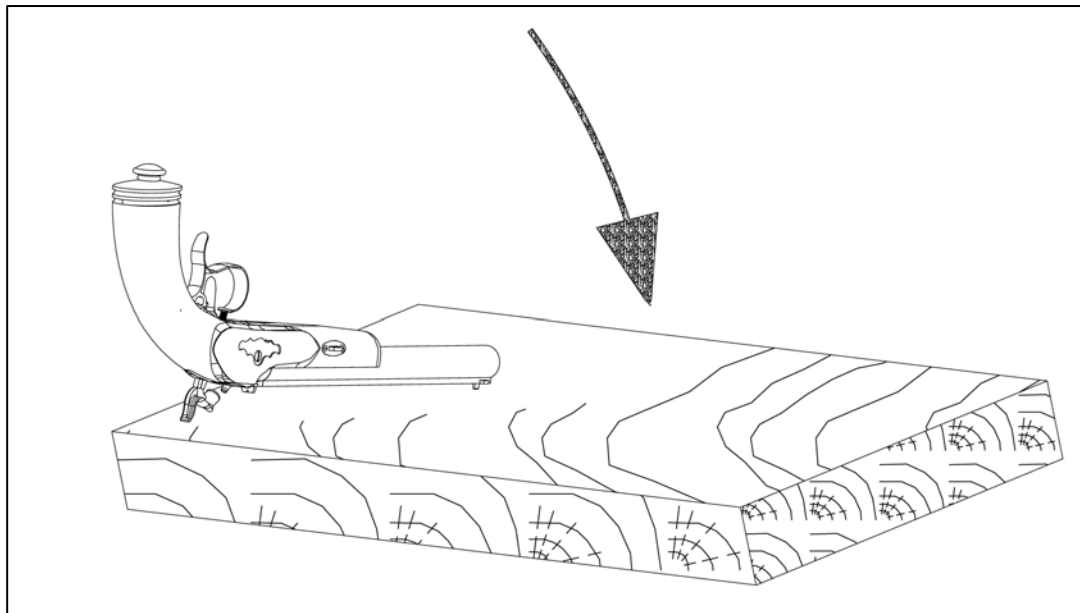


Fig 5

Barrel ordinary cleaning:

1. PERCUSSION FIREARMS: dismounting the nipple.
2. Use warm water and neutral soap brushing the barrel to remove black powder residues.
3. Wash using clean warm water.
4. Completely dry the barrel brushing with dry patches.
5. Oil all the parts.
6. Reassemble the nipple.

Barrel extra-ordinary cleaning:

1. This operation must be done at the end of each shooting season. First, using a vice, disassemble the breech plug of the barrel (for Kentucky Rifle/Pistol and for Napoleon Le page Pistol it's NOT necessary disassemble the DRUM).
2. Cover the jaws of the vice with plastic or leather protection to avoid damage to the barrel.
3. Close to the end of the barrel, you'll find two flat surfaces to clamp the barrel in the vice, keep out the the jags the breech plug.
4. Using a common wrench you can unscrew the breech plug, paying special attention not to put the wrench in the upper side of the breech but using the lower side (in this way any scratches done during the disassembly can't be seen when the gun is re-assembled).
5. Proceed washing the barrel and the breech plug.
6. Use warm water and neutral soap brushing the barrel to remove black powder residues.
7. Rinse using clean warm water.
8. Dry completely the barrel brushing with dry patches.
9. Oil all the parts.
10. Reassemble the nipple.

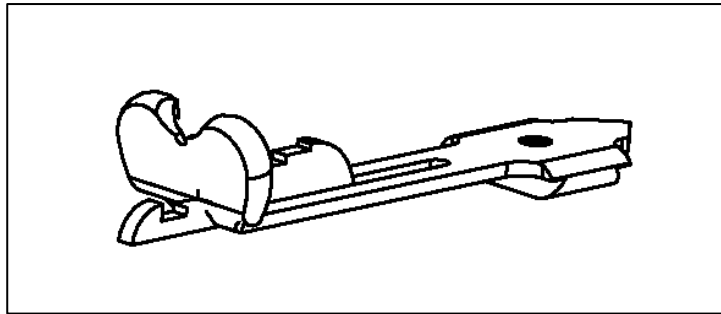
Rear sight and front sight adjustment:

Most of our firearms are of original Military Rifle design without an accurate sight system or sights with minimal adjustment.

In order to have maximum performance, it may be necessary to establish the preferred load which you will be shooting and make any necessary sight adjustments after that load is determined.

In case you have dove tail shape sights, it is possible to correct the point of impact by moving the front and or rear sights to the right or to the left.

If you have fixed sights, alignment can be reached shaping or filing the front sight and/or the rear sight.



Identify marking:

Our firearms have a serial number that you'll find on the barrel.

Close to the serial number you'll find the certification mark of the Italian National Proof House. Moreover we mark all our firearms with the name of our Factory, the calibre of the gun and the inscription "Black Powder Only" and "Made in Italy"

These marks must never be modified or removed from the firearm FOR ANY REASON.

Ordinary and extraordinary maintenance:

- Before any kind of maintenance, be sure that the firearm is unloaded.
- "ORDINARY MAINTENANCE" means any maintenance the owner must do to have the gun in perfect conditions after using it.
- "EXTRAORDINARY MAINTENANCE" means to replace broken or worn parts found on the firearm. In this case only a qualified gunsmith may service the gun for repair or serious maintenance.
- Also, complete resetting, after long periods of inactivity would require "EXTRAORDINARY MAINTENANCE" even if correct maintenance was taken when placed the gun in storage.
- To prevent unnecessary maintenance, use proper care in cleaning after each use. Usually the dealer that sell you the firearm would be able to advise you regarding the best lubricating oil to use.
- Avoid excessive oil residue.
- Don't use pure silicone or lanoline. After long periods of inactivity of your rifle, it's advisable to completely disassemble and inspect it or give it to an authorized gunsmith for inspection.

If it could be necessary to replace any worn or damaged parts, you will find below the exploded view and the parts list of each muzzle-loading firearm.

- If you need to order any parts, it is necessary to indicate the purchase date, the serial number, the exact model and the caliber of your gun and the item ref. of the part you need.
- If you have any doubt about a problem with your gun, DON'T USE IT, have it inspected by an authorized dealer or gunsmith.
- Improper use or actions may cause serious injury and or death to yourself and/or any bystanders during the firearm's use.
- Always use with care and respect to avoid any incident or event that may change yours and other's life.

A NOTE ABOUT HISTORICAL FIREARM DESIGNS

Armi Sport proudly manufactures finely crafted firearms product produced to famous historical designs. These firearms are manufactured using precise modern machinery and high quality modern materials. They are faithful reproductions of firearms originally designed in the nineteenth century; however, in choosing to own or use historical firearms the user has to recognize that there have been significant advances in firearms design and safety in the hundred years or more since these firearms were designed. Armi Sport manufactures these guns not as state of the art firearms, but as historically significant firearms for the collector. It is vital that the user be familiar with his firearm and possible safety risks that may be present in the design. Most significantly, the user should realize that the designs of safeties - or even the presence of adequate safeties - vary significantly on historical designs and do not offer the protection against accidental discharge that modern firearms safeties achieve.

Similarly, any firearm that is designed to be fired using black powder (or Pyrodex) has basic risks not found in modern cartridge firearms. Black powder is a dangerous explosive and has to be used and handled with extreme caution. The slightest miscalculation or carelessness with black powder firearms can result in serious injuries to the user.

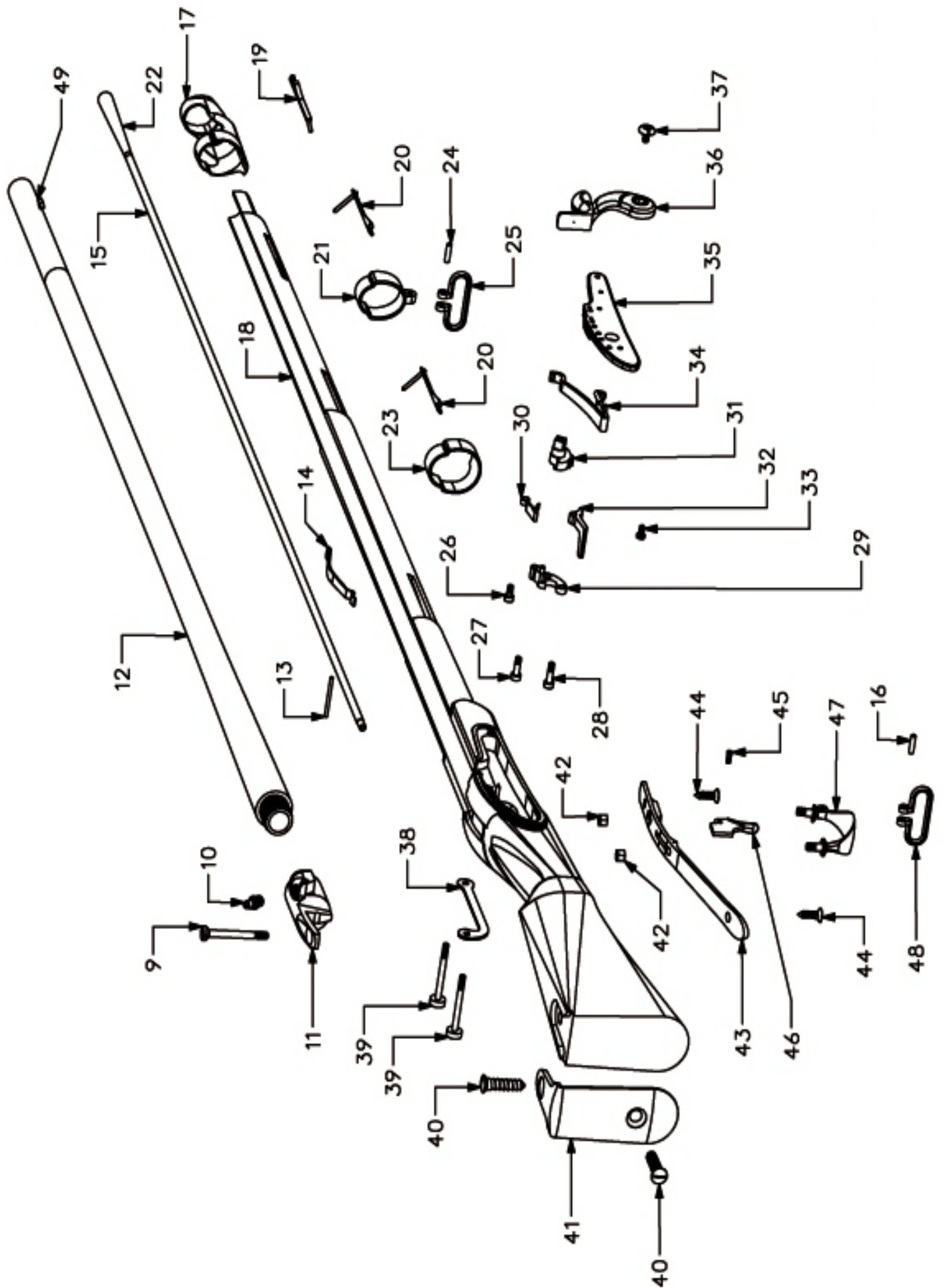
Loading chart

TYPE	CAL.	POWDER	POWDER GRAINS	PATCH	BALL TYPE	BALL DIMENS.	BALL GRS	SEMOLINA	GROOVE DIAMETER	BORE BARREL DIAMETER
RIFLE										
ENFIELD	.58	SWISS n°3 (FFG)	55-65	VASELINE	MINIE'	.585 (14,85mm)	680	2 GR	14.86	14.65
SPRINGFIELD 1861-1865	.58	SWISS n°3 (FFG)	55-65	VASELINE	MINIE'	.585 (14,85mm)	680	2 GR	14.86	14.65
RICHMOND	.58	SWISS n°3 (FFG)	55-65	VASELINE	MINIE'	.585 (14,85mm)	680	2 GR	14.86	14.65
1842 SPRINGFIELD	.69	SWISS n°3 (FFG)	65-75	0.38	ROUND	.675(17,14mm)	450	#	17.88	17.60
1842 SPRINGFIELD <i>smoothbore</i>	.69	SWISS n°3 (FFG)	65-75	0.38	ROUND	.675(17,14mm)	450	#	17.88	17.60
1842 SHORT RIFLE	.69	SWISS n°3 (FFG)	65-75	0.38	ROUND	.675(17,14mm)	450	#	17.88	17.60
ZOUAVE	.58	SWISS n°3 (FFG)	60-65	VASELINE	MINIE'	.585 (14,85mm)	680	2 GR	14.86	14.65
ZOUAVE MATCH	.58	SWISS n°3 (FFG)	48-54	VASELINE	MINIE'	.577 (14,65mm)	620	2 GR	14.86	14.65
KENTUCKY PERC.	.45	SWISS n°2 (FFG)	40-50	0.25	ROUND	.440(11,176mm)	131	#	11.65	11.37
KENTUCKY FLINT	.45	SWISS n°2 (FFG)	40-50	0.25	ROUND	.440(11,176mm)	131	#	11.65	11.37
KENTUCKY PERC.	.50	SWISS n°2 (FFG)	45-55	0.25	ROUND	.495(12,573mm)	184	#	12.90	12.70
KENTUCKY FLINT	.50	SWISS n°2 (FFG)	45-55	0.25	ROUND	.495(12,573mm)	184	#	12.90	12.70

PISTOL										
ROCHATTE A PARIS	.36	SWISS n°1(FFFFG)	12-18	0.25	ROUND	.354(8,99mm)	66	#	9.34	9.14
ROCHATTE A PARIS	.45	SWISS n°1(FFFFG)	15-20	0.25	ROUND	.440(11,176mm)	131	#	11.65	11.37
NAPOLEON LE PAGE	.45	SWISS n°1(FFFFG)	15-20	0.25	ROUND	.440(11,176mm)	131	#	11.65	11.37
NAPOLEON LE PAGE	.45	SWISS n°1(FFFFG)	15-20	VASELINE	ROUND	.454(11,531mm)	131	2 GR	11.65	11.37
KENTUCKY PERC.	.45	SWISS n°1(FFFFG)	15-20	0.25	ROUND	.440(11,176mm)	131	#	11.65	11.37
KENTUCKY FLINT	.45	SWISS n°1(FFFFG)	15-20	0.25	ROUND	.440(11,176mm)	131	#	11.65	11.37
NAPOLEON LE PAGE	4,5	ONLY PRIMER	#	#	ROUND	4,3/4,5 mm	#	#	4.60	4.50
CONNECTICUT	4,5	ONLY PRIMER	#	#	ROUND	4,3/4,5 mm	#	#	4.60	4.50

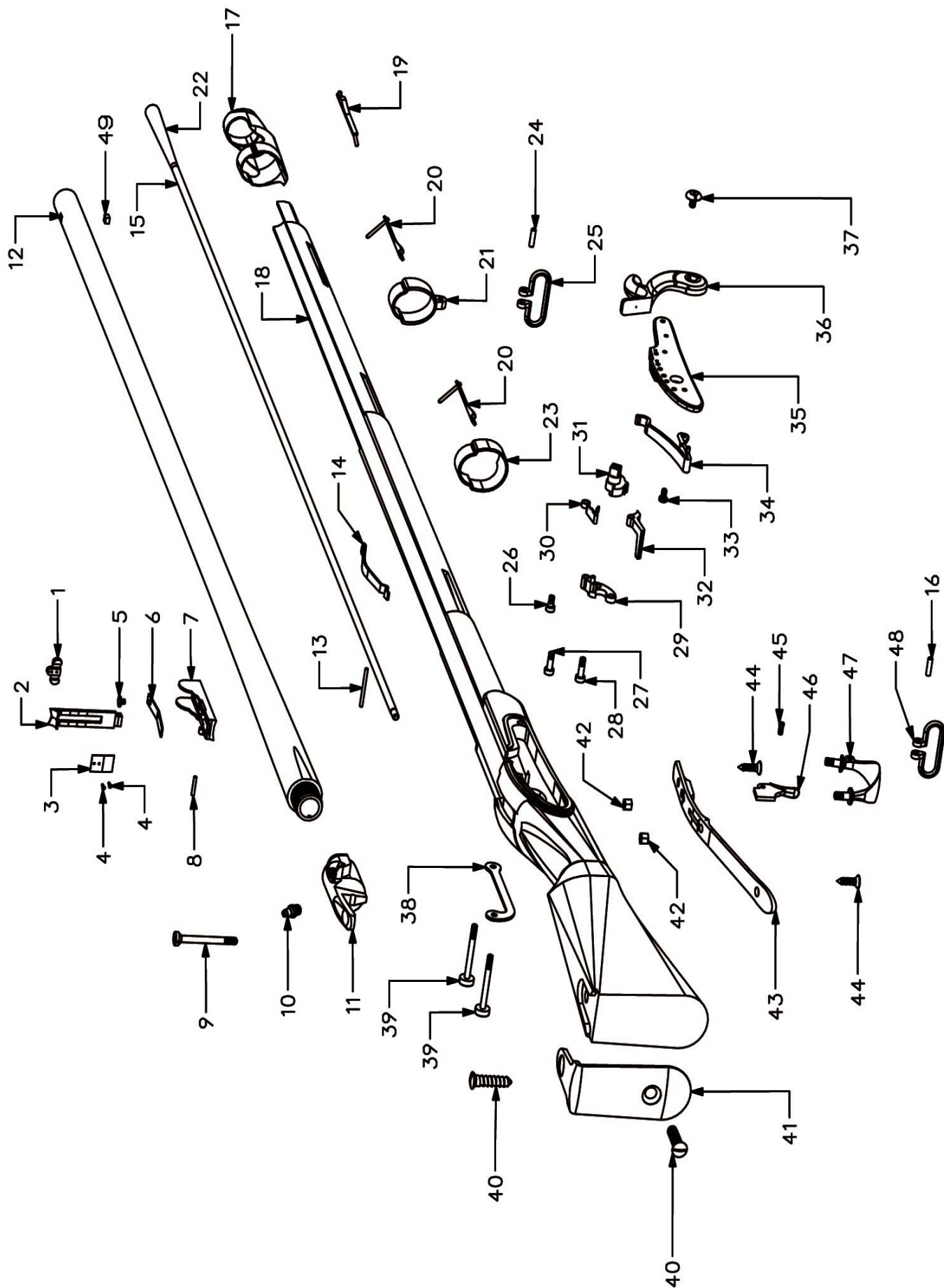
Spare Parts List 900.000 1842 Springfield Musket

ITEM ARTIC	DRAW.REF. RIF.DISEGNO	DESCRIPTION	NR.OF PART NUM.PARTI	ITEM ARTIC	DRAW.REF. RIF.DISEGNO	DESCRIPTION	NR.OF PART NUM.PARTI
098.094		STOCK COMPLETE		790.042	31	tumbler	1
780.007	18	stock	1	790.043	32	sear	1
K760.031	41	butt plate	1	730.131	37	hammer screw	1
730.124	40	butt plate screw	2	730.132	27	bridle screw	1
730.084	13	retainer spring pin	1	730.133	28	sear screw	1
721.043	14	retainer spring	1	730.134	26	sear spring screw	1
098.095		BARREL SMOOTHBORE COMPLETE		730.135	33	main spring screw	1
710.038	12	barrel	1	721.052	34	main spring	1
790.032	11	breech tang	1	721.053	30	sear spring	1
770.053	49	baionet lug	1	098.097			
730.064	10	nipple	1	730.126	9	tang screw	1
098.096		TRIGGER PLATE-GUARD ASSEMBLY		760.032	38	side plate	1
790.033	43	trigger plate	1	730.127	39	side screw	2
790.035	46	trigger	1	730.128	44	trigger plate screw	2
730.107	45	trigger screw	1	790.037	23	rear band	1
150.000	42	trigger plate nut	2	790.039	17	front band	1
098.151		TRIGGER GUARD COMPLETE		721.050	19	front band spring	1
790.034	47	trigger guard	1	721.051	20	middle rear band spring	2
730.125	16	swivel pin	1	730.433	15-22	ramrod	1
790.036	48	swivel	1	098.099		MIDDLE BAND COMPLETE	
098.025		LOCK COMPLETE		790.038	21	middle band	1
770.055	35	lock plate	1	730.125	24	swivel pin	1
790.040	36	hammer	1	790.036	25	swivel	1
790.041	29	bridle	1				



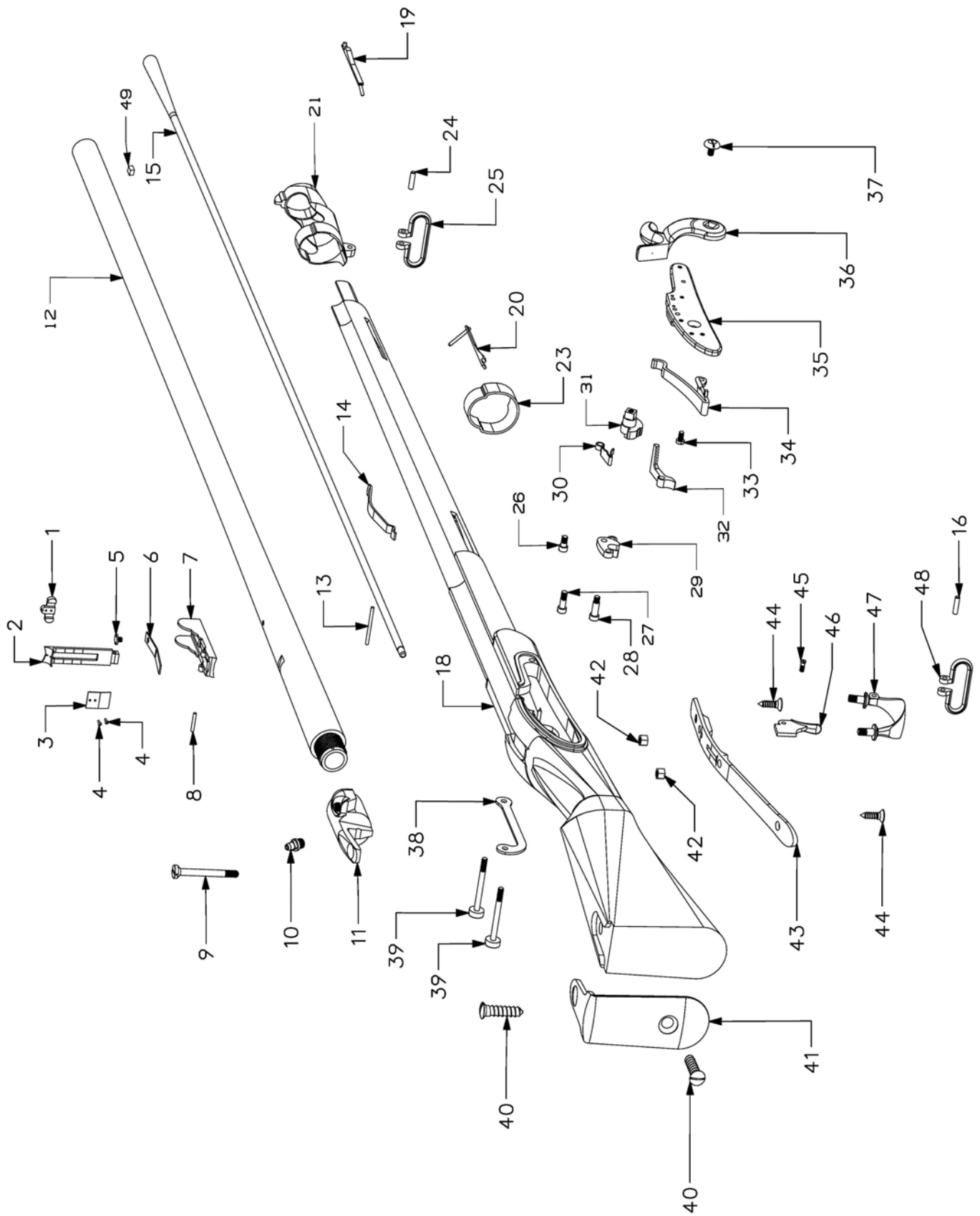
Spare Parts List 910.005 1842 Springfield Musket

ITEM ARTIC	DRAW.REF RIF.DIS	DESCRIPTION	NR.OF PART NUM.PARTI	ITEM ARTIC	DRAW.REF RIF.DIS	DESCRIPTION	NR.OF PART NUM. PARTI
098.094		STOCK COMPLETE		098.025		LOCK COMPLETE	
780.007	18	stock	1	770.055	35	lock plate	1
K760.031	41	butt plate	1	790.040	36	hammer	1
730.124	40	butt plate screw	2	790.041	29	bridle	1
730.084	13	retainer spring pin	1	790.042	31	tumbler	1
721.043	14	retainer spring	1	790.043	32	sear	1
098.100		BARREL RIFLED COMPLETE		730.131	37	hammer screw	1
710.037	12	barrel	1	730.132	27	bridle screw	1
790.032	11	breech tang	1	730.133	28	sear screw	1
770.053	49	balonet lug	1	730.134	26	sear spring screw	1
730.064	10	nipple	1	730.135	33	main spring screw	1
098.037		REAR SIGHT COMPLETE		721.052	34	main spring	1
770.047	7	Rear sight base	1	721.053	30	sear spring	1
770.049	2	Rear sight ladder	1	098.097			
770.050	1	Rear sight slide	1	730.126	9	tang screw	1
721.047	6	Rear sight slide spring	1	760.032	38	side plate	1
730.097		Rear sight slide pin	2	730.127	39	side screw	2
730.120	8	Rear sight slide ladder pin	1	730.128	44	trigger plate screw	2
098.096		TRIGGER PLATE-GUARD ASSEMBLY		790.037	23	rear band	1
790.033	43	trigger plate	1	790.039	17	front band	1
790.035	46	trigger	1	721.050	19	front band spring	1
730.107	45	trigger screw	1	721.051	20	middle rear band spring	2
150.000	42	trigger plate nut	2	730.435	15	ramrod	1
098.151		TRIGGER GUARD COMPLETE		730.099	5	Rear sight base screw	1
790.034	47	trigger guard	1	721.071	3	Rear sight base spring	1
730.125	16	swivel pin	1	098.099		MIDDLE BAND COMPLETE	
790.036	48	swivel	1	790.038	21	middle band	1
				730.125	24	swivel pin	1
				790.036	25	swivel	1



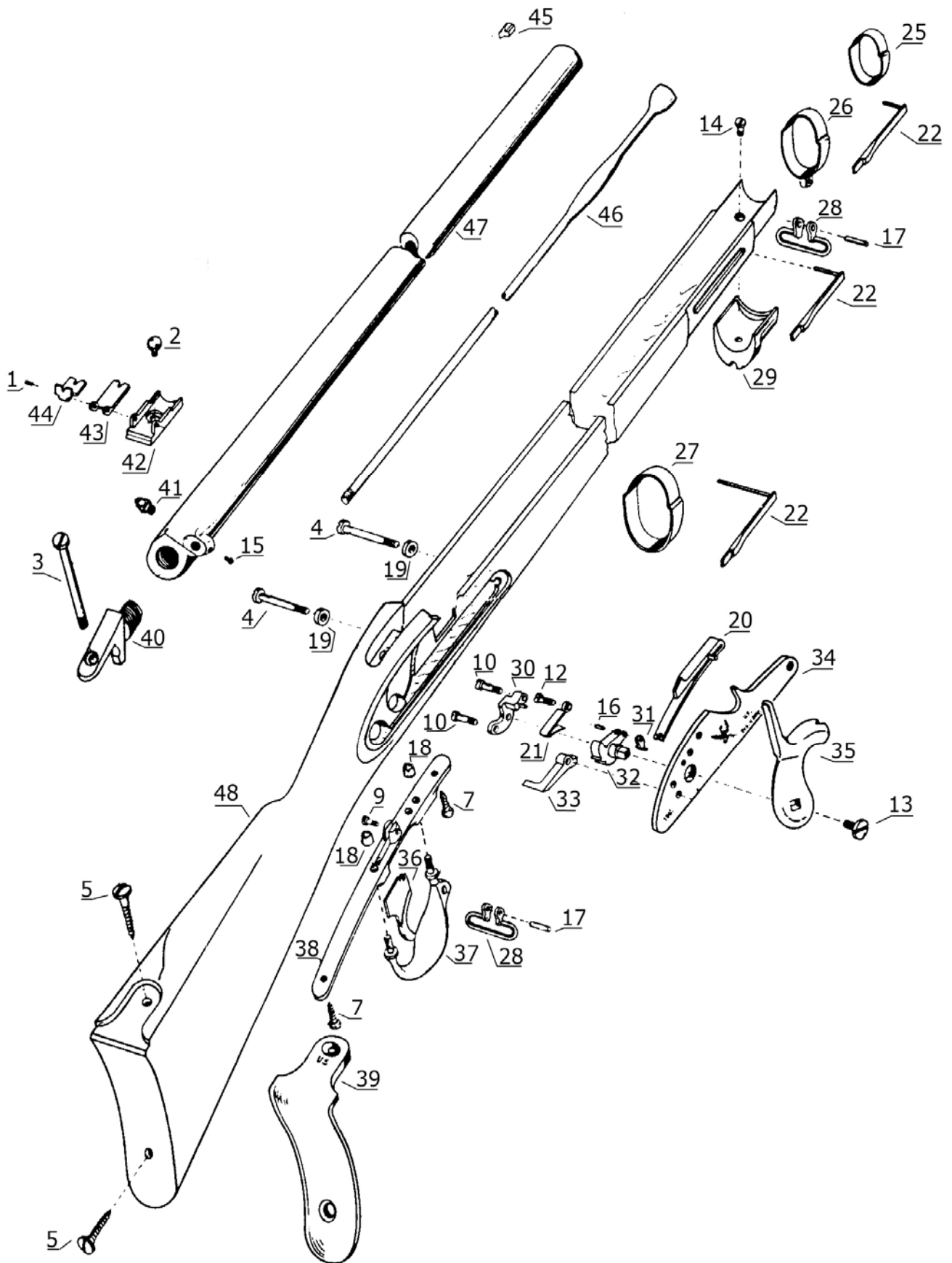
Spare Parts List 910.040 1842 Springfield Short Rifle

ITEM ARTIC	DRAW.REF RIF.DIS	DESCRIZIONE	NR.OF PART NUM.PARTI	ITEM ARTIC	DRAW.REF RIF.DIS	DESCRIZIONE	NR.OF PART NUM. PARTI
098.232		STOCK COMPLETE		098.233		LOCK COMPLETE	
780.067	18	stock	1	770.338	35	lock plate	1
K760.031	41	butt plate	1	790.040	36	hammer	1
730.124	40	butt plate screw	2	790.041	29	bridle	1
730.084	13	retainer spring pin	1	790.042	31	tumbler	1
721.043	14	retainer spring	1	790.043	32	sear	1
098.236		BARREL RIFLED COMPLETE		730.131	37	hammer screw	1
710.190	12	barrel	1	730.132	27	bridle screw	1
790.032	11	breech tang	1	730.133	28	sear screw	1
770.053	49	batonet lug	1	730.134	26	sear spring screw	1
730.064	10	nipple	1	730.135	33	main spring screw	1
098.037		REAR SIGHT COMPLETE		721.052	34	main spring	1
770.047	7	Rear sight base	1	721.053	30	sear spring	1
770.049	2	Rear sight ladder	1	098.234			
770.050	1	Rear sight slide	1	730.126	9	tang screw	1
721.047	6	Rear sight slide spring	1	760.032	38	side plate	1
730.097		Rear sight slide pin	2	730.127	39	side screw	2
730.120	8	Rear sight slide ladder pin	1	730.128	44	trigger plate screw	2
098.096		TRIGGER PLATE-GUARD ASSEMBLY		790.037	23	rear band	1
790.033	43	trigger plate	1	721.050	19	front band spring	1
790.035	46	trigger	1	721.051	20	middle rear band spring	2
730.107	45	trigger screw	1	730.670	15	ramrod	1
150.000	42	trigger plate nut	2	730.099	5	Rear sight base screw	1
098.151		TRIGGER GUARD COMPLETE		721.071	3	Rear sight base spring	1
790.034	47	trigger guard	1	098.235		SHORT BAND COMPLETE	
730.125	16	swivel pin	1	790.195	21	short band	1
790.036	48	swivel	1	730.125	24	swivel pin	1
				790.036	25	swivel	1



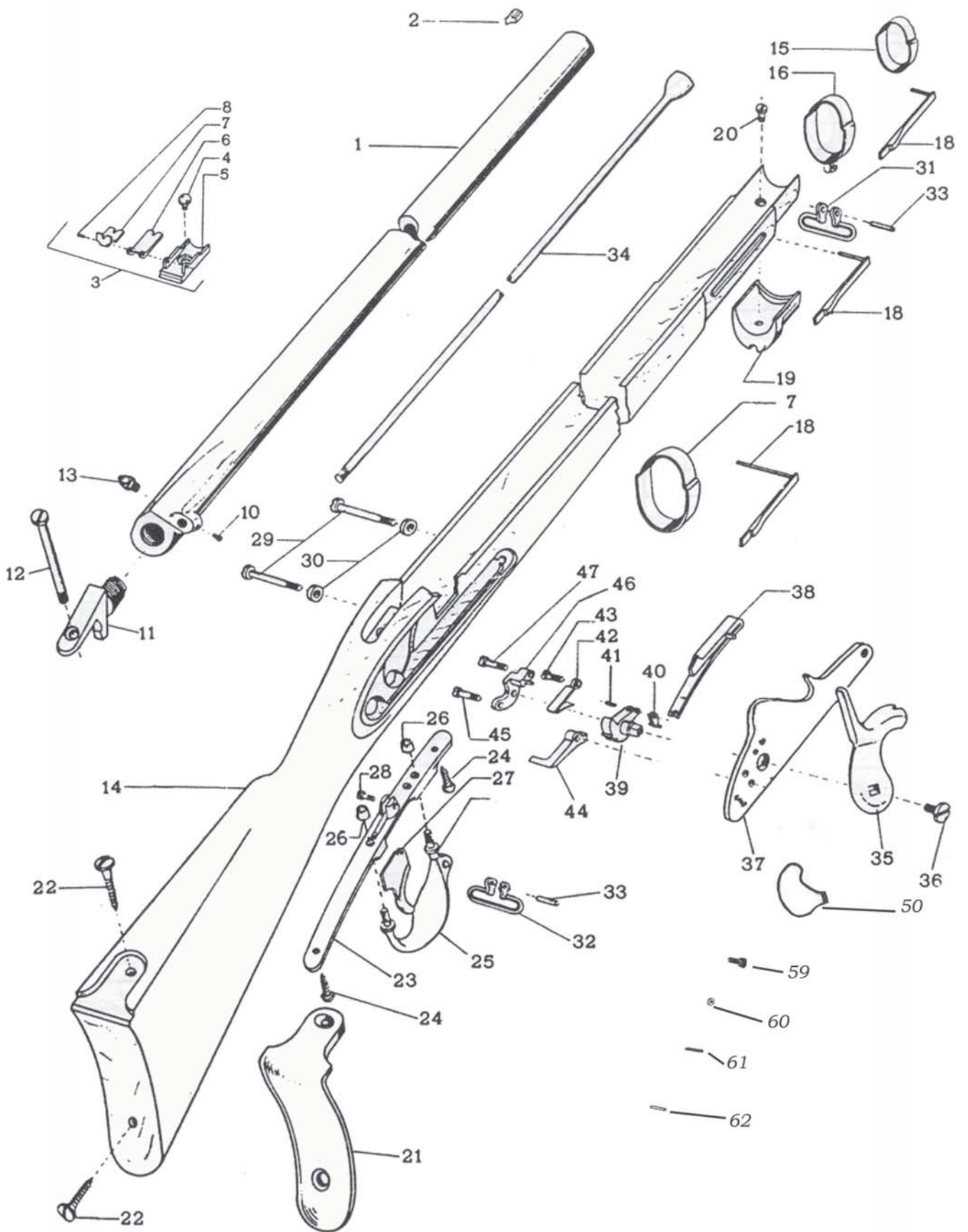
Spare Parts List 910.000 1861 Springfield Musket

ITEM ARTIC	DRAW.REF RIF.DIS	DESCRIPTION	NR.OF PART NUM.PARTI	ITEM ARTIC	DRAW.REF RIF.DIS	DESCRIPTION	NR.OF PART NUM. PARTI
098.005			1	150.000	18	Trigger plate nut	2
780.006	48	Stock - finished	1	730.107	9	Triggere screw	1
770.038	29	Nose cap	1	098.150			1
730.098	14	Nose cap screw	1	790.027	37	Trigger guard	1
730.418	5		2	730.103	17	Belt swivel pin	1
K760.026	39	Butt plate	1	790.025	28	Front belt swivel	1
098.001			1	098.002			1
710.033	47	Springfield 1861 Barrel C.58	1	790.022	42	Rear sight base	1
790.029	45	Front sight	1	790.023	43	Rear sight first leaf	1
730.102	15	Nipple base screw	1	790.024	44	Rear sight second leaf	1
730.064	41	Nipple	1	730.100	1	Rear sight leaf screw	1
098.004			1	098.006			1
770.041	34	Lock plate	1	760.029	26	Middle band	1
790.028	35	Hammer	1	790.025	28	Front belt swivel	1
730.109	13	Hammer screw	1	730.103	17	Belt swivel pin	1
770.043	32	Tumbler	1	098.008			1
770.044	31	Tumbler stirrup	1	760.027	25	Front band	1
130.029	16	Tumbler stirrup pin	1	760.028	27	Rear band	1
770.045	33	Sear	1	730.104	19	Lock plate screw washer	2
770.046	30	Bridle	1	730.105	4	Lock plate screw	2
130.028			1	730.101	3	Tang screw	1
730.110	10	washers	2	770.179	22	1861 Springfield band spring	3
721.044	21	Sear spring	1	730.373	46	Ramrod	1
730.111	12	Sear spring screw	1	730.099	2	Rear sight base screw	1
721.039	20	Main spring	1	730.106	7	Trigger plate screw	2
098.003			1				
770.040	38	Trigger plate	1				
790.026	36	Hammer	1				



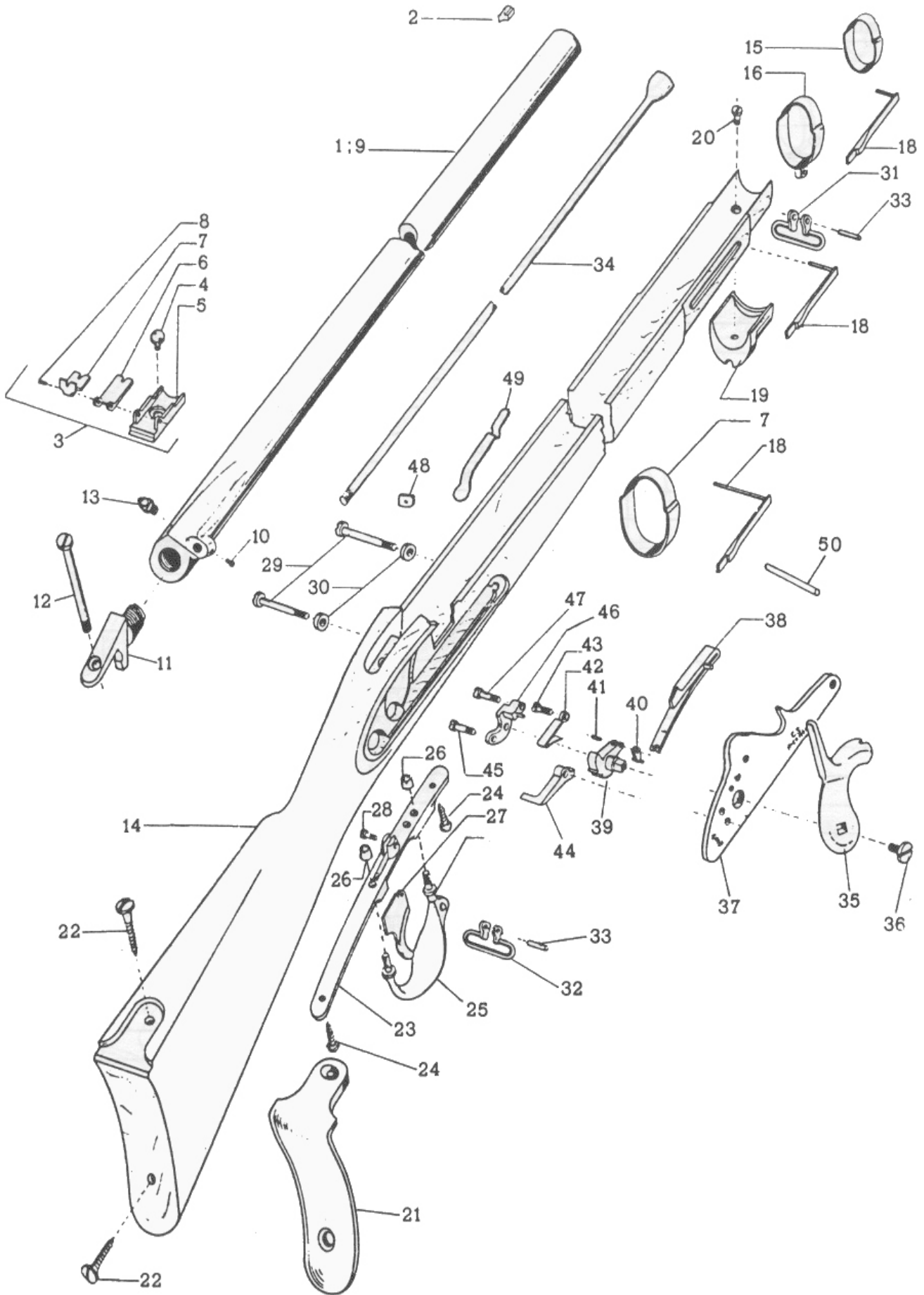
Spare Parts List 910.002 1855 Springfield Musket

ITEM ARTIC	DRAW.REF RIF.DIS	DESCRIPTION	NR.OF PART NUM.PARTI	ITEM ARTIC	DRAW.REF RIF.DIS	DESCRIPTION	NR.OF PART NUM. PARTI
O98.021		STOCK COMPLETE	1	O98.003		TRIGGER PLATE GUARD ASS.	1
780.038	14	stock	1	770.040	23	Trigger plate	1
770.048	19	nose cap	1	790.026	27	Hammer	1
730.098	20	nose cap screw	1	150.000	26	Trigger plate nut	2
730.079	22	butt plate screw	2	730.107	28	Triggere screw	1
K760.026	21	butt plate	1	O98.150		TRIGGER GUARD ASSEMBLY	1
O98.072		BARREL COMPLETE	1	790.027	25	Trigger guard	1
710.034	1	barrel	1	730.103	33	Belt swivel pin	1
790.029	2	front sight	1	790.025	32	Front belt swivel	1
730.102	10	clean out screw	1	O98.037		REAR SIGHT COMPLETE	1
730.064	13	nipple	1	770.047	58	rear sight base	1
O98.026		LOCK COMPLETE	1	770.049	52	rear sight ladder	1
770.051	37	lock plate	1	770.050	51	rear sight slide	1
790.066	35	hammer	1	721.047	54	rear sight slide spring	1
730.109	36	hammer screw	1	730.097	55	rear sight slide pin	2
770.043	39	tumbler	1	730.120	53	rear sight side ladder pin	1
770.044	40	stirrup	1	O98.006		MIDDLE BAND ASSEMBLY	1
130.029	41	stirrup pin	1	760.029	16	Middle band	1
770.045	44	sear	1	790.025	31	Front belt swivel	1
770.046	46	bridle	1	730.103	33	Belt swivel pin	1
130.028	#	bridle pin	1	O98.008			1
730.110	45-47	bridle and sear screw	2	760.027	15	Front band	1
721.044	42	sear spring	1	760.028	7	Rear band	1
730.111	43	sear spring screw	1	730.104	30	Lock plate screw washer	2
721.039	38	main spring	1	730.105	29	Lock plate screw	2
770.052	50	lock plate lid	1	730.101		Tang screw	1
103.002	59	lock plate lid screw	1	770.179	18	1861Springfield band spring	3
730.189	60	lock plate lid bush	1	730.373	34	Ramrod	1
721.049	61	lock plate lid spring	1	730.099	56	Rear sight base screw	1
730.121	62	lock plate lid pin	1	730.106	24	Trigger plate screw	2
				721.071	57	rear sight base spring	1



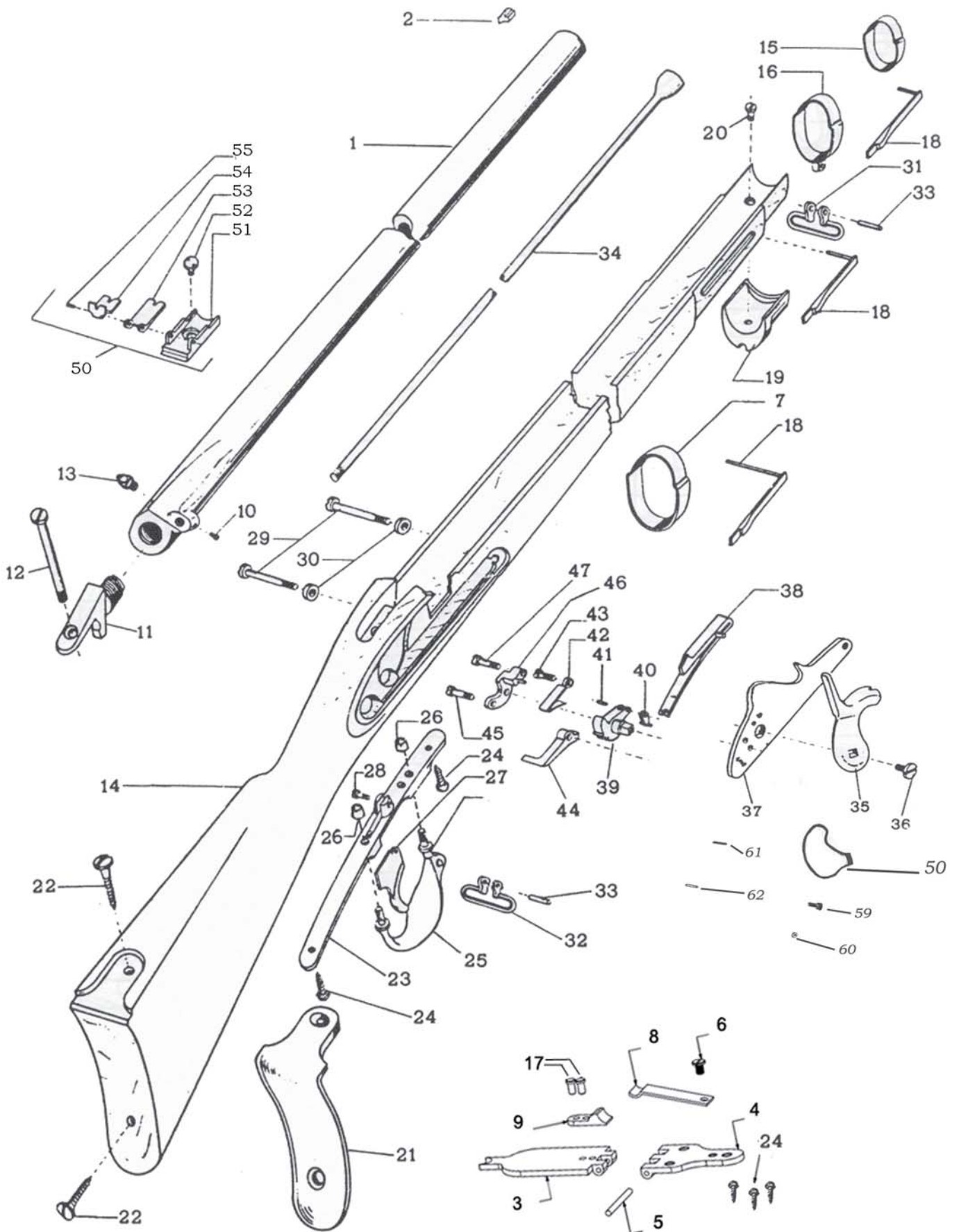
Spare Parts List 910.001 1862 Richmond Musket

ITEM ARTIC	DRAW.REF RIF.DIS	DESCRIPTION	NR.OF PART NUM.PARTI	ITEM ARTIC	DRAW.REF RIF.DIS	DESCRIPTION	NR.OF PART NUM. PARTI
O98.067		Stock Assembly		O98.003	47	TRIGGER PLATE GUARD ASS.	
780.025	14	stock	1	770.040	48	trigger plate	1
770.048	19	nose cap	1	790.026	49	trigger	1
730.098	20	nose cap screw	1	150.000	50	trigger guard nut	2
730.418	22	butt plate screw	2	730.107	51	trigger screw	1
760.034	21	butt plate	1	O98.150	52	TRIGGER GUARD ASSEMBLY	
O98.069		Barrel Assembly		790.027	53	trigger guard	1
710.110	1-11	Barrel	1	730.103	54	swivel screw	1
790.029	2	front sight	1	790.025	55	rear swivel	1
730.102	10	nipple base screw	1	O98.027	56	REAR SIGHT COMPLETE	
730.064	13	nipple	1	790.064	57	rear sight base	1
O98.070		LOCK COMPLETE		790.023	58	rear sight first leaf	1
770.062	37	lock plate	1	790.024	59	rear sight second leaf	1
790.066	35	hammer	1	730.153	60	rear sight leaf screw	1
730.109	36	hammer screw	1	O98.068	61	MIDDLE BAND ASSEMBLY	
770.043	37	thumbler	1	760.037	62	middle band	1
770.044	38	stirrup	1	790.025	63	front swivel	1
130.029	39	stirrup pin	1	730.103	64	swivel screw	1
770.045	40	sear	1	O98.008	65		
770.046	41	bridle	1	760.035	66	front band	1
130.028	42	stirrup pin	1	760.036	67	rear band	1
730.110	43	sear screw	2	730.104	68	lock plate screw washer	2
721.044	44	sear spring	1	730.105	69	lock plate screw	2
730.111	45	sear spring screw	1	730.101	70	tang screw	1
721.039	46	main spring	1	770.179	71	band spring	3
				730.374	72	ramrod	1
				730.099	73	rear sight base screw	1
				730.106	74	trigger plate screw	2



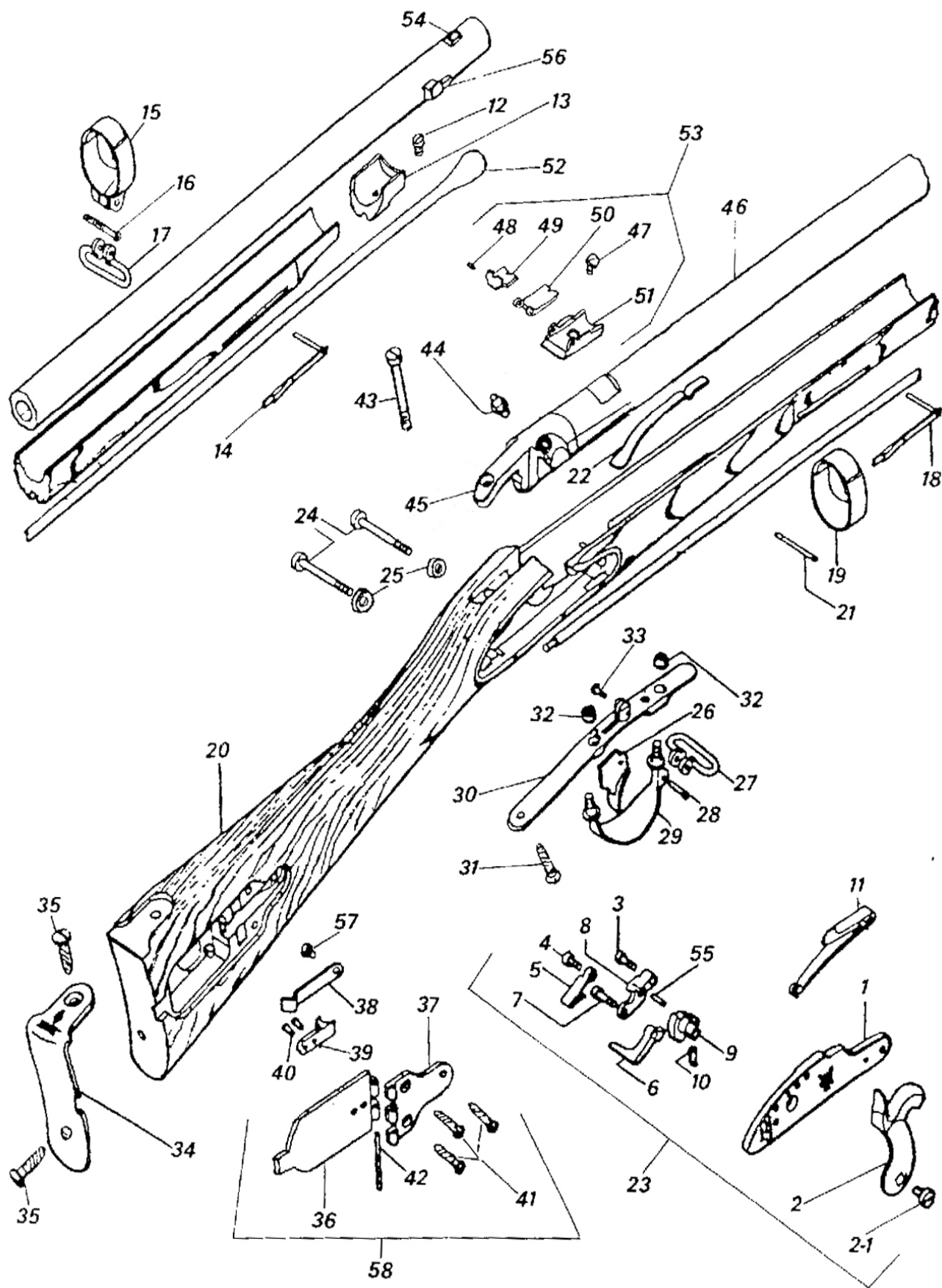
Spare Parts List 910.034 1855 Springfird 2° Model

ITEM ARTIC	DRAW.REF RIF.DIS	DESCRIPTION	NR.OF PART NUM.PARTI	ITEM ARTIC	DRAW.REF RIF.DIS	DESCRIPTION	NR.OF PART NUM. PARTI
O98.021		STOCK COMPLETE	1	770.052	50	lock plate lid	1
780.048	14	stock	1	103.002	59	lock plate lid screw	1
770.038	19	nose cap	1	730.189	60	lock plate lid bush	1
730.098	20	nose cap screw	1	721.049	61	lock plate lid spring	1
730.079	22	butt plate screw	2	730.121	62	lock plate lid pin	1
760.102	21	butt plate	1	O98.003		TRIGGER PLATE GUARD ASS.	1
O98.175		PATCH BOX ASSEMBLY	1	770.040	23	Trigger plate	1
770.233	4	patch box tail	1	790.026	27	Hammer	1
770.234	3	patch box lid	1	150.000	26	Trigger plate nut	2
730.113	5	patch box lid pin	2	730.107	28	Triggere screw	1
721.054	8	patch box spring	1	O98.150		TRIGGER GUARD ASSEMBLY	1
790.048	9	patch box spring ret.	1	790.027	25	Trigger guard	1
180.001	17	rivet	2	730.103	33	Belt swivel pin	1
730.098	6	patch box spring screw	1	790.025	32	Front belt swivel	1
730.106	24	Trigger plate screw	3	O98.027	50	REAR SIGHT COMPLETE	1
O98.177		BARREL COMPLETE	1	790.064	51	rear sight base	1
710.135	1	barrel	1	790.023	53	rear sight first leaf	1
790.029	2	front sight	1	790.024	54	rear sight second leaf	1
730.102	10	clean out screw	1	730.153	55	rear sight leaf screw	1
730.064	13	nipple	1	O98.006		MIDDLE BAND ASSEMBLY	1
O98.178		LOCK COMPLETE	1	760.029	16	Middle band	1
770.235	37	lock plate	1	790.025	31	Front belt swivel	1
790.066	35	hammer	1	730.103	33	Belt swivel pin	1
730.109	36	hammer screw	1	O98.008			1
770.043	39	tumbler	1	760.027	15	Front band	1
770.044	40	stirrup	1	760.028	7	Rear band	1
130.029	41	stirrup pin	1	730.104	30	Lock plate screw washer	2
770.045	44	sear	1	730.105	29	Lock plate screw	2
770.046	46	bridle	1	730.101	12	Tang screw	1
130.028	#	bridle pin	1	770.179	18	1861Springfield band spring	3
730.110	45-47	bridle and sear screw	2	730.373	34	Ramrod	1
721.044	42	sear spring	1	730.099	4	Rear sight base screw	1
730.111	43	sear spring screw	1	730.106	24	Trigger plate screw	2
721.039	38	main spring	1				



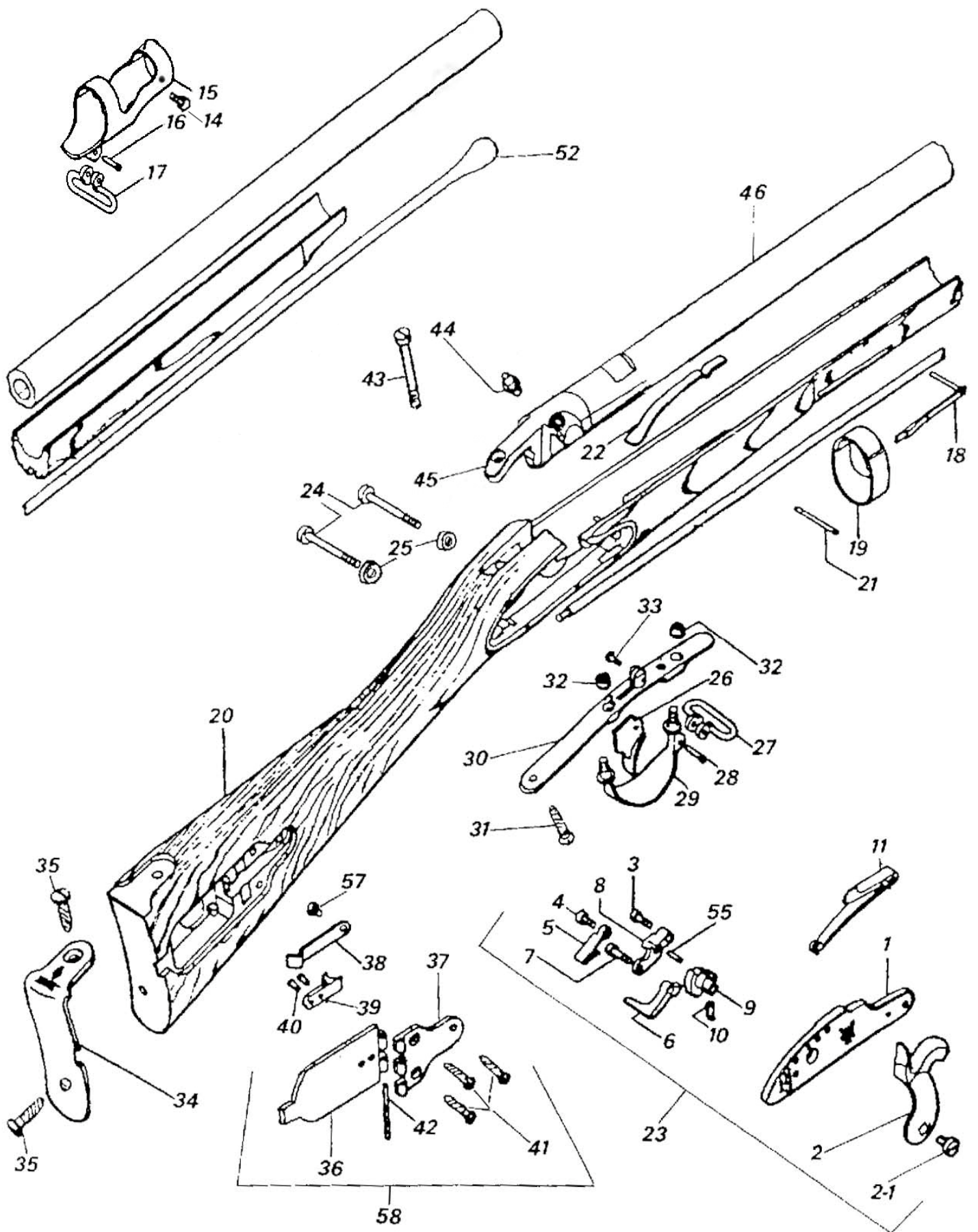
Spare Parts List 910.006-910.039 1863 Zouave Musket

ITEM ARTIC	DRAW.REF RIF.DIS	DESCRIPTION	NR.OF PART NUM.PARTI	ITEM ARTIC	DRAW.REF RIF.DIS	DESCRIPTION	NR.OF PART NUM. PARTI
098.101		STOCK COMPLETE	1	790.051	26	trigger	1
780.008	20	stock	1	730.462	33	trigger screw	1
730.098	12	forend cap screw	1	150.000	32	trigger plate nut	2
790.045	13	zouave forend cap	1	098.123		TRIGGER GUARD ASSEMBLY	1
760.033	34	butt plate	1	790.050	29	trigger guard	1
730.209	35	butt plate screw	2	790.052	27	rear swivel	1
721.043	22	ramrod spring	1	730.141	28	rear swivel screw	1
730.084	21	ramrod spring pin	1	098.029	23	LOCKS ZOUAVE PERCUSSION	1
098.104	58	PATCH BOX COMPLETE	1	770.061	1	lock plate	1
770.171	37	patch box tail	1	790.053	2	hammer	1
770.172	36	patch box lid	1	790.054	9	tumbler	1
730.113	42	patch box lid pin	1	790.055	6	sear	1
721.054	38	patch box spring	1	790.056	8	bridle	1
790.048	39	patch box spring ret.	1	730.144	2-1	hammer screw	1
730.122	40	patch box spring retaining pin	2	730.145	3	bridle screw	1
730.098	57	patch box spring screw	1	730.065	7	sear screw	1
730.078	41	patch box screw	3	730.147	4	sear spring screw	1
098.218		BARREL ZOUAVE 7 GROOVES MATCH	1	721.055	5	sear spring	1
098.102		BARREL ZOUAVE .58 RIFLED	1	721.056	11	main spring	1
710.171	46	BARREL ZOUAVE 7 GROOVES MATCH	1	770.118	10	link	1
710.039	46	BARREL ZOUAVE .58 RIFLED	1	130.029	55	link pin	1
790.044	45	breech plug	1	098.105			1
790.059	54	front sight	1	730.142	25	lock plate screw washer	2
790.021	56	bayonet lug	1	730.143	24	lock plate screw (lock screw)	2
730.064	44	nipple	1	790.058	19	rear band	1
098.034	53	1863 REM.ZOUAVE REAR SIGHT	1	770.192	18-14	Band spring	2
790.060	51	rear sight base	1	730.150	52	ramrod	1
790.061	49	rear sight first leaf	1	730.047	43	tang screw	1
790.062	50	rear sight second leaf	1	730.209	31	trigger plate screw	1
730.149	48	rear sight leaf screw	1	098.106		FRONT BAND ASSEMBLY	1
730.148	47	rear sight screw	1	790.052	17	front swivel (belt swivel)	1
098.103		TRIGGER PLATE ASSEMBLY	1	730.141	16	front swivel screw (band pin)	1
790.049	30	trigger plate	1	790.057	15	front band	1



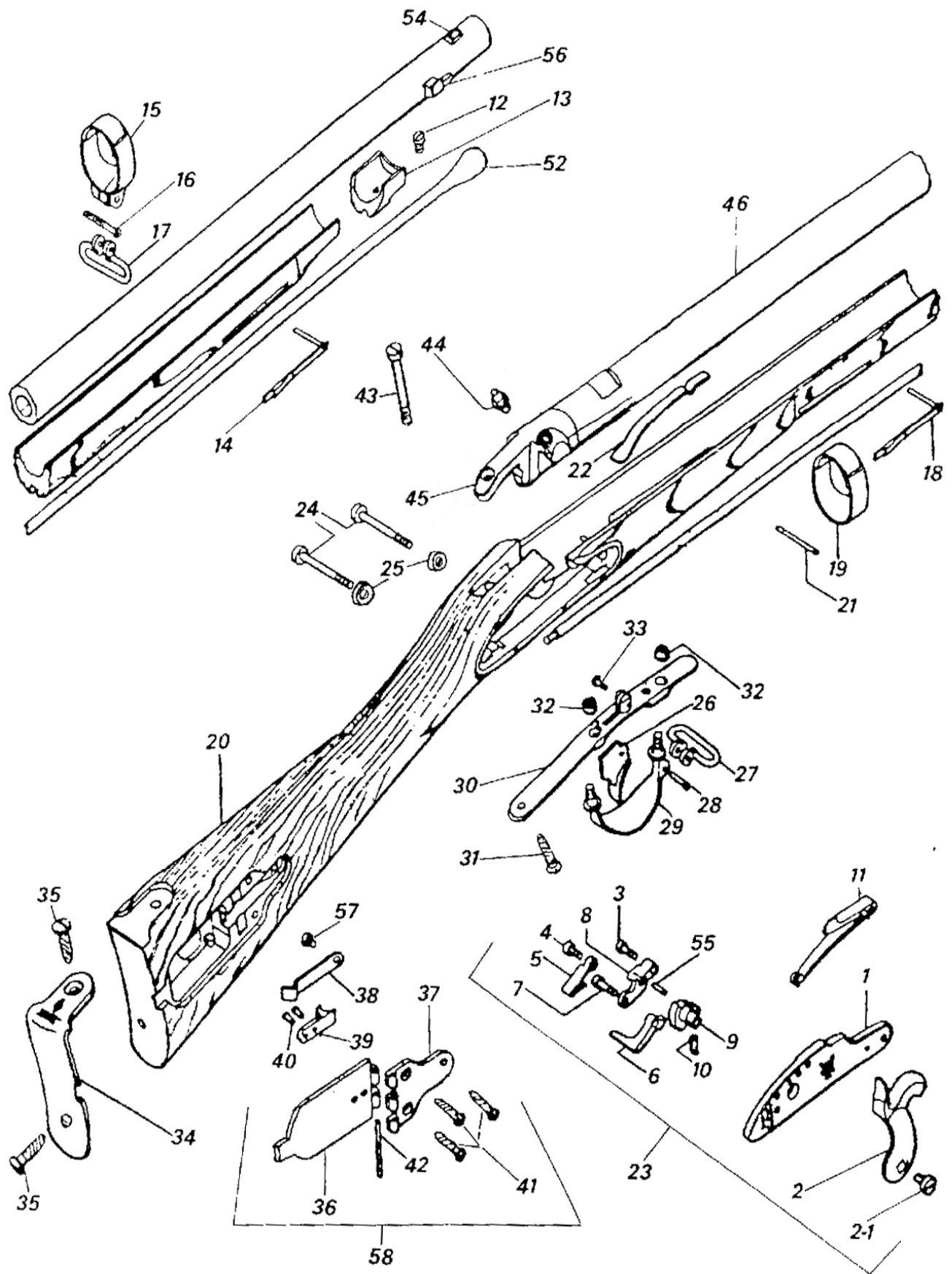
Spare Parts List 910.007 900.002 1863 Zouave Carbine

ITEM ARTIC	DRAW.REF RIF.DIS	DESCRIPTION	NR.OF PART NUM.PARTI	ITEM ARTIC	DRAW.REF RIF.DIS	DESCRIPTION	NR.OF PART NUM. PARTI
O98.179		STOCK COMPLETE	1	790.052	27	rear swivel	1
780.049	20	stock	1	730.141	28	rear swivel screw	1
760.033	34	butt plate	1	O98.029	23	LOCKS ZOUAVE PERCUSS.	1
730.209	35	butt plate screw	2	770.061	1	lock plate	1
721.043	22	ramrod spring	1	790.053	2	hammer	1
730.084	21	ramrod spring pin	1	790.054	9	tumbler	1
O98.104	58	PATCH BOX COMPLETE	1	790.055	6	sear	1
770.171	37	patch box tail	1	790.056	8	bridle	1
770.172	36	patch box lid	1	730.144	2-1	hammer screw	1
730.113	42	patch box lid pin	1	730.145	3	bridle screw	1
721.054	38	patch box spring	1	730.065	7	sear screw	1
790.048	39	patch box spring ret.	1	730.147	4	sear spring screw	1
730.122	40	patch box spring retaining pin	2	721.055	5	sear spring	1
730.098	57	patch box spring screw	1	721.056	11	main spring	1
730.078	41	patch box screw	3	770.118	10	link	1
O98.183	#	MUSKETOON	1	130.029	55	link pin	1
O98.180	#	MUSKETOON	1	O98.181			1
710.143	46	BARREL ZOUAVE MUSK. .58 SMOOTHPROF	1	730.142	25	lock plate screw washer	2
710.142	46	BARREL ZOUAVE MUSK. .58 RIFLED	1	730.143	24	lock plate screw	2
790.044	45	breech plug	1	790.058	19	rear band	1
730.064	44	nipple	1	770.192	18	Band spring	1
O98.103		TRIGGER PLATE ASSEMBLY	1	730.488	52	ramrod	1
790.049	30	trigger plate	1	730.047	43	tang screw	1
790.051	26	trigger	1	730.209	31	trigger plate screw	1
730.462	33	trigger screw	1	O98.182		FOREND CAP ASSEMBLY	1
150.000	32	trigger plate nut	2	790.052	17	front swivel (belt swivel)	1
O98.123		TRIGGER GUARD ASSEMBLY	1	730.141	16	front swivel screw (band pin)	1
790.050	29	trigger guard	1	790.182	15	forend cap	1
				103.000	14	forend cap screw	1



Spare Parts List 900.001 1863 Zouave Musket

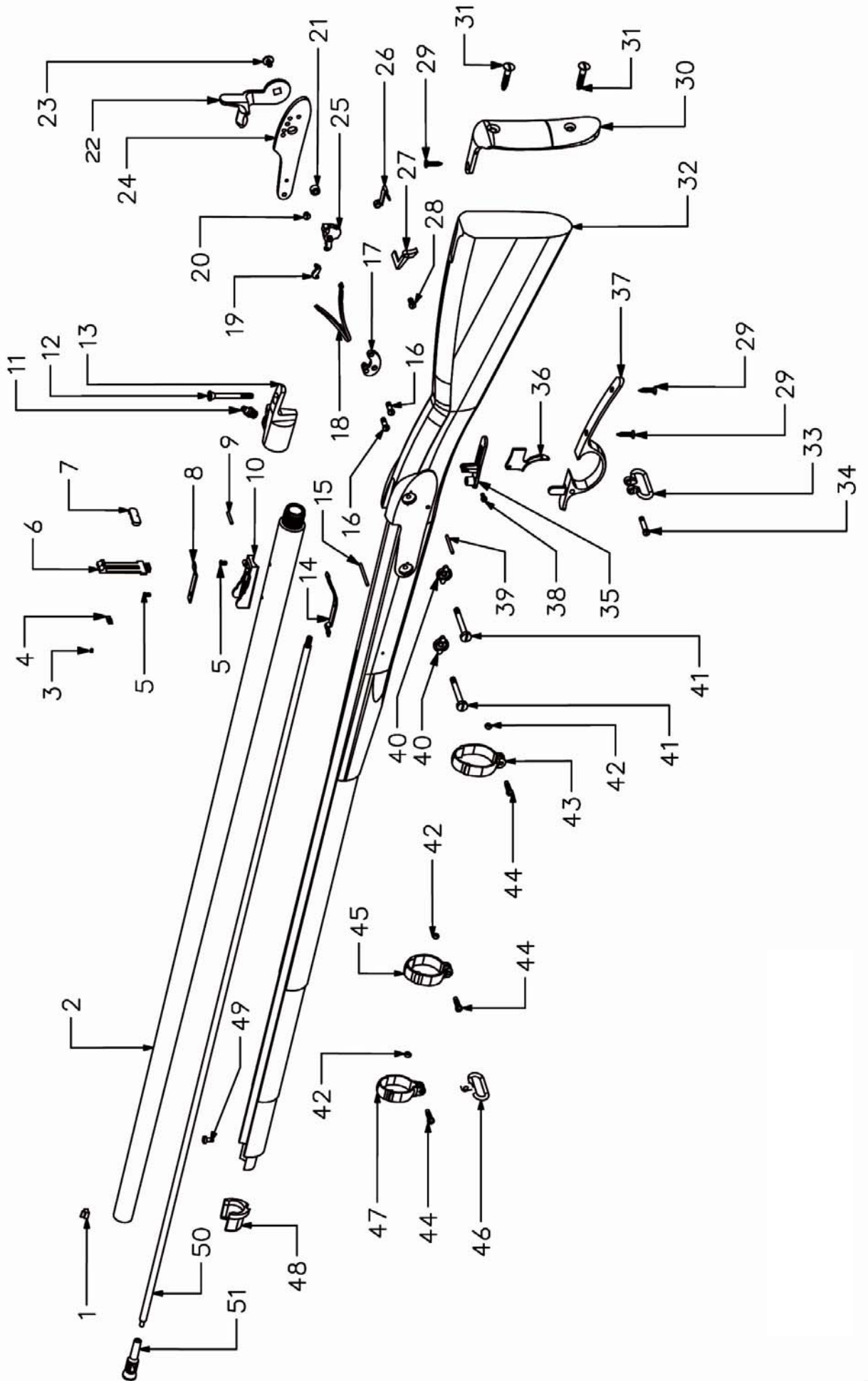
ITEM ARTIC	DRAW.REF RIF.DIS	DESCRIPTION	NR.OF PART NUM.PARTI	ITEM ARTIC	DRAW.REF RIF.DIS	DESCRIPTION	NR.OF PART NUM. PARTI
O98.101		STOCK COMPLETE		O98.123		TRIGGER GUARD ASSEMBLY	
780.008	20	stock	1	790.050	29	trigger guard	1
730.098	12	forend cap screw	1	790.052	27	rear swivel	1
790.045	13	zouave forend cap	1	730.141	28	rear swivel screw	1
760.033	34	butt plate	1	O98.029	23	LOCK COMPLETE	
730.209	35	butt plate screw	2	770.061	1	lock plate	1
721.043	22	ramrod spring	1	790.053	2	hammer	1
730.084	21	ramrod spring pin	1	790.054	9	tumbler	1
O98.104	58	PATCH BOX COMPLETE		790.055	6	sear	1
770.171	37	patch box tail	1	790.056	8	bridle	1
770.172	36	patch box lid	1	730.144	2-1	hammer screw	1
730.113	42	patch box lid pin	1	730.145	3	bridle screw	1
721.054	38	patch box spring	1	730.065	7	sear screw	1
790.048	39	patch box spring ret.	1	730.147	4	sear spring screw	1
730.122	40	patch box spring retaining pin	2	721.055	5	sear spring	1
730.098	57	patch box spring screw	1	721.056	11	main spring	1
730.078	41	patch box screw	3	770.118	10	link	1
O98.115		BARREL SMOOTHBORE COMPLETE		130.029	55	link pin	1
710.041	46	barrel smoothbore cal.58	1	O98.105			
790.044	45	breech plug	1	730.142	25	lock plate screw washer	2
790.059	54	front sight	1	730.143	24	lock plate screw (lock screw)	2
790.021	56	bayonet lug	1	790.058	19	rear band	1
730.064	44	nipple	1	770.192	18-14	Band spring	2
O98.103		TRIGGER PLATE ASSEMBLY		730.150	52	ramrod	1
790.049	30	trigger plate	1	730.047	43	tang screw	1
790.051	26	trigger	1	730.209	31	trigger plate screw	1
730.462	33	trigger screw	1	O98.106		FRONT BAND ASSEMBLY	
150.000	32	trigger plate nut	2	790.052	17	front swivel (belt swivel)	1
				730.141	16	front swivel screw (band pin)	1
				790.057	15	front band	1



Spare Parts List 910.003

1853 Enfield Musket

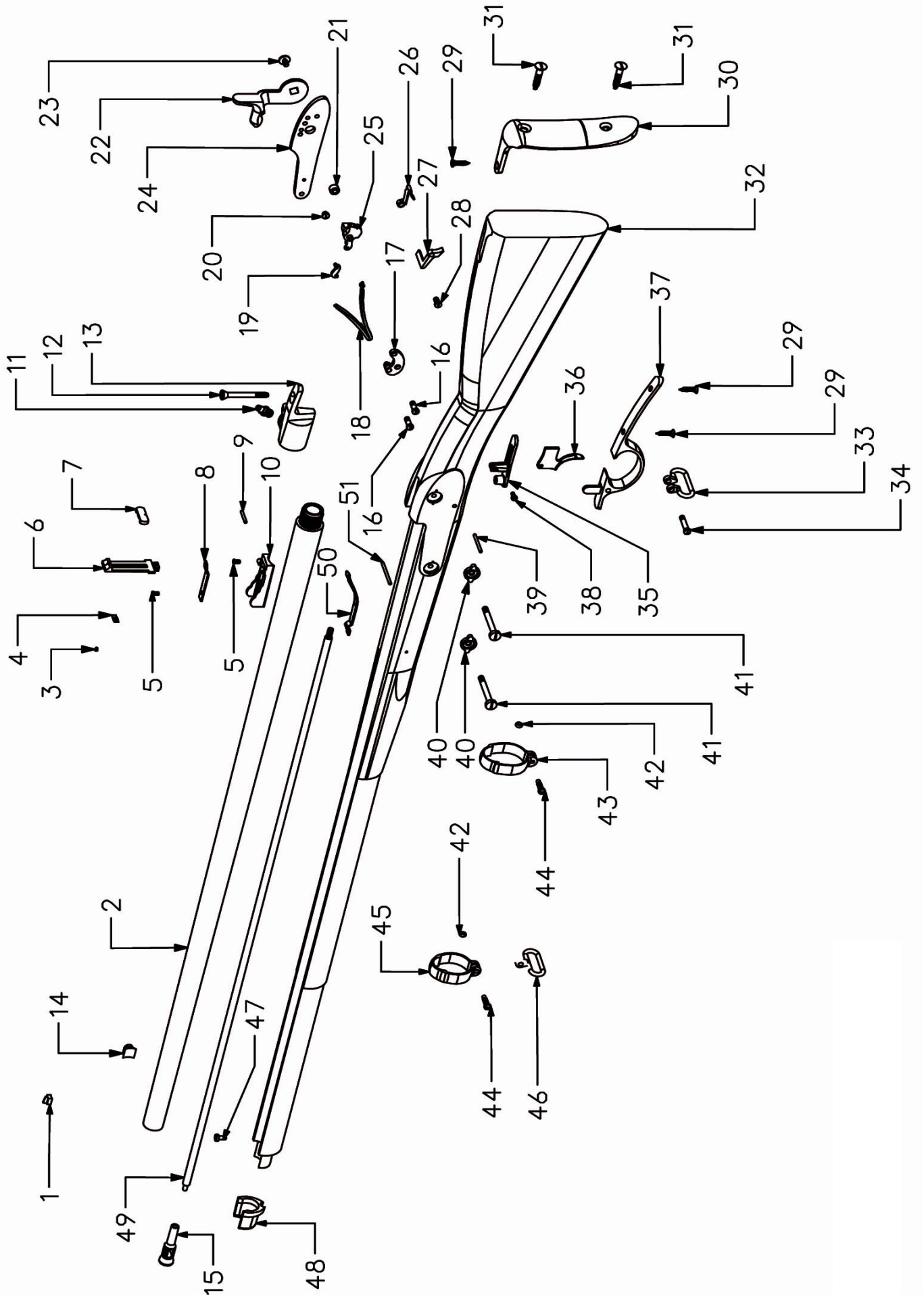
ITEM ARTIC	DRAW.REF RIF.DIS	DESCRIPTION	NR.OF PART NUM.PARTI	ITEM ARTIC	DRAW.REF RIF.DIS	DESCRIPTION	NR.OF PART NUM. PARTI
O98.013		Stock Complete	1	730.066	28	Sear spring screw	1
780.004	32	Stock	1	730.067	23	Hammer screw	1
790.020	48	Nose cap	1	730.065	16	Bridle/sear screw	2
103.000	49	Nose cap screw	1	721.040	26	Sear spring	1
730.079	31	Butt plate screw	2	790.009	27	Sear	1
721.043	14	Ramrod retainer	1	790.008	19	Stirrup	1
730.084	15	Ramrod retainer pin	1	790.007	25	Tumbler	1
730.078	29	Triggerguard screw	1	790.006	17	Bridle	1
790.004	30	Butt plate	1	790.005	22	Hammer	1
O98.014		Barrel 39" Complete	1	721.039	18	Main spring Enfield	1
710.036	2-13	ENFIELD BARREL CAL.58	1	O98.020			1
790.012	13	Breech Plug	1	790.010	40	Lock plate screw washer	2
790.013	1	Front sight	1	730.070	41	Lock plate screw	2
730.064	11	Musket nipple	1	730.071	12	Tang screw	1
O98.015		Rear sight complete	1	730.078	29	Trigger guard screw	2
790.014	10	Rear sight base	1	730.085	39	Trigger plate screw	1
790.015	6	Rear sight leaf	1	730.372	50+51	Ramrod Enfield 39"	1
790.016	7	Rear sight slide	1	730.076	50	Ramrod rod	1
721.041	8	Rear sight leaf spring	1	730.077	51	Ramrod trip	1
721.042	4	Rear sight slide spring	1	730.075	5	Rear sight base screw	2
730.074	3	Rear sight slide screw	1	O98.010		Front barrel band ass.	1
730.083	9	Rear slight leaf pin	1	790.017	47	Front barrel band	1
O98.016		Trigger Assembly	1	730.068	44	Band screw	1
790.000	35	Trigger plate	1	730.069	42	Band screw washer	1
790.003	36	Trigger	1	790.011	46	Enfield close swivel	1
103.006	38	Trigger screw	1	O98.011		Middle barrel band 39"ass.	1
O98.017		Trigger plate assembly	1	790.018	45	Middle barrel band	1
790.001	37	Triggerguard	1	730.068	44	Barrel band screw	1
790.002	33	Open swivel	1	730.069	42	Barrel band washer	1
730.080	34	Swivel screw	1	O98.012		Rear barrel band ass.	1
O98.018		Lock Complete 39"	1	790.019	43	Rear barrel band	1
770.022	24-21	Lock 1853	1	730.068	44	Band screw	1
730.081	20	Hammer spring screw	1	730.069	42	Band screw washer	1



Spare Parts List 910.004

1858 Enfield Musket

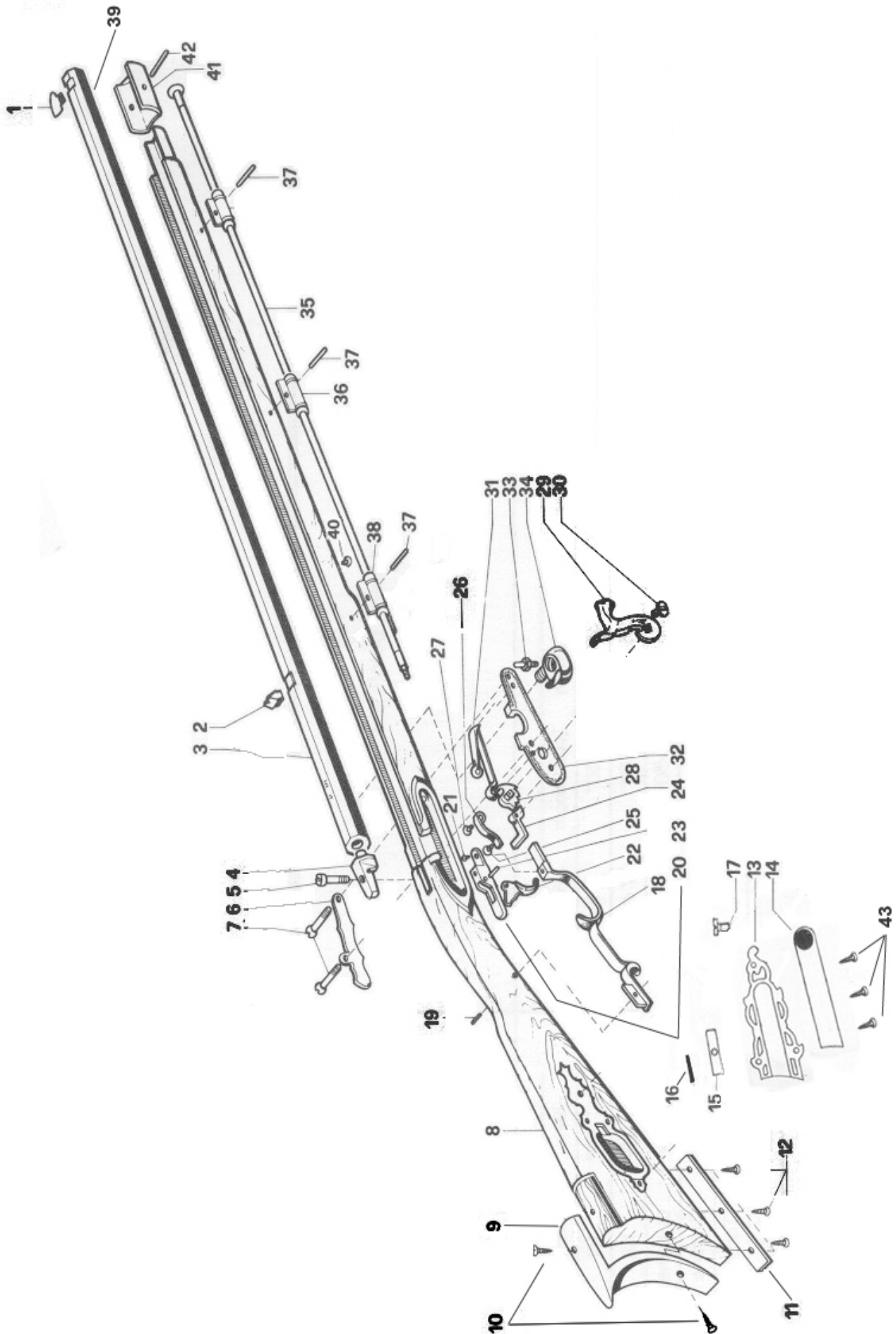
ITEM ARTIC	DRAW.REF RIF.DIS	DESCRIPTION	NR.OF PART NUM.PARTI	ITEM ARTIC	DRAW.REF RIF.DIS	DESCRIZIONE	NR.OF PART NUM. PARTI
O98.111		Stock Complete	1	O98.113		Lock Complete 33"	1
780.005	32	Stock	1	770.036	24-21	Lock 1858	1
790.020	48	Nose cap	1	730.081	20	Hammer spring screw	1
103.000	47	Nose cap screw	1	730.066	28	Sear spring screw	1
730.079	31	Butt plate screw	21	730.067	23	Hammer screw	1
721.043	50	Ramrod retainer	1	730.065	16	Bridle/sear screw	2
730.084	51	Ramrod retainer pin	1	721.040	26	Sear spring	1
730.078	29	Triggerguard screw	1	790.009	27	Sear	1
790.004	30	Butt plate	1	790.008	19	Stirrup	1
O98.112		Barrel 33"Complete	1	790.007	25	Tumbler	1
710.035	2-13	ENFIELD BARREL 33" CAL.58	1	790.006	17	Bridle	1
790.012	13	Breech Plug	1	790.005	22	Hammer	1
790.013	1	Front sight	1	721.039	18	Main spring Enfield	1
730.064	11	Musket nipple	1	O98.114			1
790.021	14	Balonet lug for Zouave	1	790.010	40	Lock plate screw washer	2
O98.015		Rear sight complete	1	730.070	41	Lock plate screw	2
790.014	10	Rear sight base	1	730.071	12	Tang screw	1
790.015	6	Rear sight leaf	1	730.078	29	Trigger guard screw	2
790.016	7	Rear sight slide	1	730.085	39	Trigger plate screw	1
721.041	8	Rear sight leaf spring	1	730.260	15-49	Ramrod Enfield 33"	1
721.042	4	Rear sight slide spring	1	730.075	5	Rear sight base screw	2
730.074	3	Rear sight slide screw	1	O98.165		Middle barrel band 33" assembly	1
730.083	9	Rear slight leaf pin	1	790.018	45	Middle barrel band	1
O98.016		Trigger Assembly	1	730.068	44	Barrel band screw	1
790.000	35	Trigger plate	1	730.069	42	Barrel band washer	1
790.003	36	Trigger	1	790.011	46	Close swivel	1
103.006	38	Trigger screw	1	O98.012		Rear barrel band assembly	1
O98.017		Trigger plate assembly	1	790.019	43	Rear barrel band	1
790.001	37	Triggerguard	1	730.068	44	Band screw	1
790.002	33	Open swivel	1	730.069	42	Band screw washer	1
730.080	34	Swivel screw	1				



Spare Parts List 910.008-910.009
Spare Parts List 910.031-910.032

Kentucky Rifle Percussione
Kentucky Rifle inciso Percussione

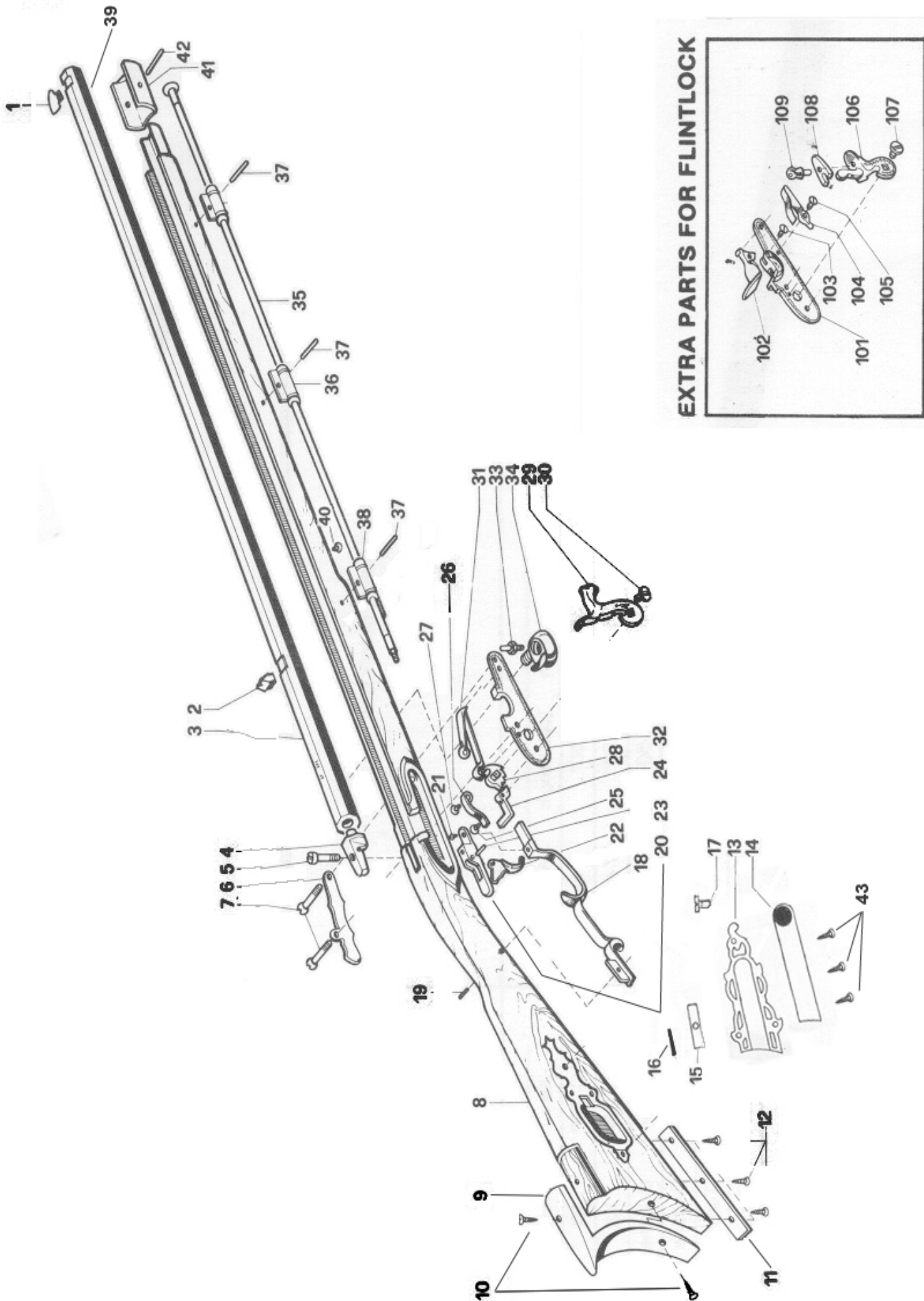
ITEM ARTIC	DRAW.REF RIF.DIS	DESCRIPTION	NR.OF PART NUM.PARTI	ITEM ARTIC	DRAW.REF RIF.DIS	DESCRIPTION	NR.OF PART NUM. PARTI
098.033		STOCK ASSEMBLY	1	098.023		LOCK PERCUSS.ASS.	1
780.010	8	stock	1	760.042	32	lock plate percussion	1
760.039	36	upper ferrule	2	730.180	30	hammer screw	1
730.159	37	upper ferrule pin	3	790.076	29	hammer	1
760.040	38	lower ferrule	1	790.077	28	tumbler	1
790.069	9	butt plate	1	790.078	24	sear	1
730.078	10	butt plate screw	2	730.178	25-27	sear screw	2
760.041	11	toe plate	1	721.060	26	sear spring	1
730.161	12	toe plate screw	3	721.063	31	hammer spring	1
125.000	43	patch box screw	3	760.079	#	bridel	1
098.043		PATCH BOX ASSEMBLY	1	730.377	#	bridle washer	1
790.070	13	patch box	1	098.045		SET TRIGGER COMPLETE	1
790.071	14	patch box cover	1	790.072	18	trigger guard	1
730.160	16	patch box cover pin	1	790.073	20	trigger plate	1
721.059	15	patch box cover spring	1	790.174	22	trigger	1
103.002	17	patch box spring screw	1	730.174	23	trigger pin	1
098.047		BARREL COMPLETE .45 PERC.	1	103.003	21	trigger plate screw	1
098.042		BARREL COMPLETE .50 PERC.	1	098.044			1
710.043	3	barrel .45 PERCUS.	1	730.173	5	breech plug screw	1
710.044	3	barrel .50 PERCUS.	1	730.157	7	side plate screw	2
770.066	4	breech plug	1	760.038	6	side plate	1
790.079	39	tenon	1	790.068	41	nose cap	1
790.067	2	rear sight	1	730.159	42	nose cap pin	1
790.075	34	drum	1	780.011	35	ramrod assembly	1
730.177	33	nipple	1	103.000	40	tennon pin	1
770.064	1	front sight	1	730.159	19	upper ferrule pin	1



Spare Parts List 911.000-911.001
Spare Parts List 911.004-911.005

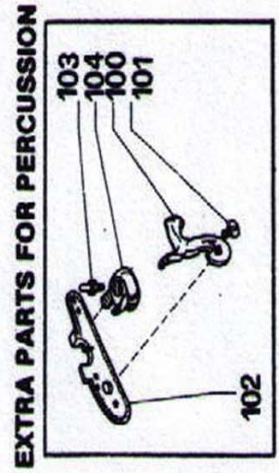
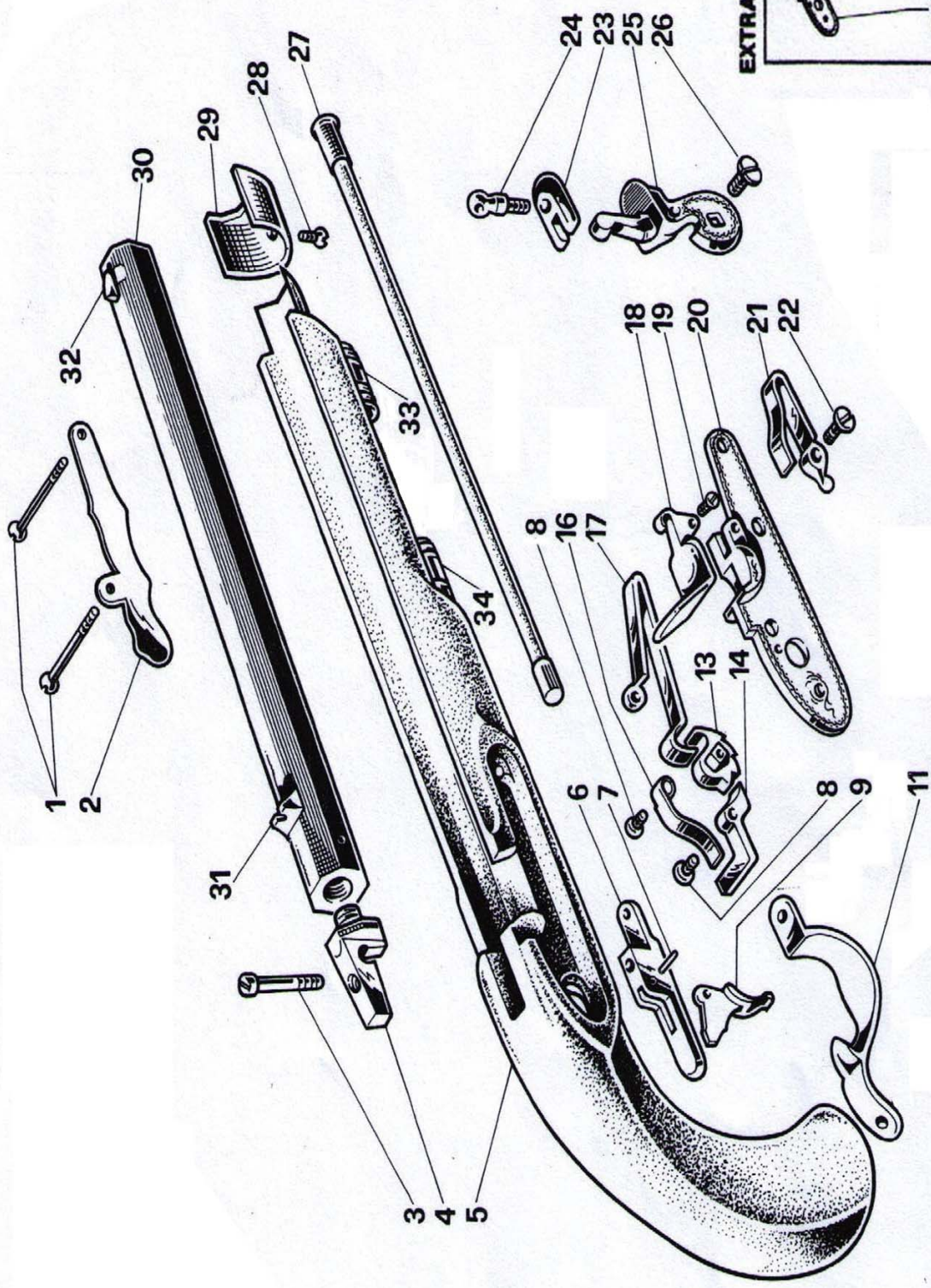
Kentucky Rifle Pietra Focaia
Kentucky Rifle inciso Pietra Focaia

ITEM ARTIC	DRAW.REF RIF.DIS	DESCRIPTION	NR.OF PART NUM.PARTI	ITEM ARTIC	DRAW.REF RIF.DIS	DESCRIPTION	NR.OF PART NUM. PARTI
O98.033		STOCK ASSEMBLY	1	790.082	102	Frizzen Kentucky Flintl.	1
780.010	8	stock	1	790.083	108	Top jaw	1
760.039	36	upper ferrule	1	730.188	109	Top jaw screw	1
730.159	37	upper ferrule pin	1	730.180	107	hammer screw	1
760.040	38	lower ferrule	1	730.187	103	Frizzen screw	1
790.069	9	butt plate	2	103.006	105-27	screw	2
730.078	10	butt plate screw	1	730.167	25	sear screw	1
760.041	11	toe plate	1	790.084	28	tumbler	1
730.161	12	toe plate screw	1	790.085	24	sear	1
125.000	43	patch box screw	1	721.068	31	main spring	1
O98.043		PATCH BOX ASSEMBLY	1	721.060	26	sear spring	1
790.070	13	patch box	1	721.078	104	Frizzen spring	1
790.071	14	patch box cover	1	O98.045		SET TRIGGER COMPLETE	1
730.160	16	patch box cover pin	1	790.072	18	trigger guard	1
721.059	15	patch box cover spring	1	790.073	20	trigger plate	1
103.002	17	patch box spring screw	1	790.174	22	trigger	1
O98.048		BARREL COMPLETE .45 FLINTL.	1	730.174	23	trigger pin	1
O98.049		BARREL COMPLETE .50 FLINTL.	1	103.003	21	trigger plate screw	1
710.107	3	barrel .45 FLINTL.	1	O98.044			1
710.046	3	barrel .50 FLINTL.	1	730.173	5	breech plug screw	1
770.066	4	breech plug	2	730.157	7	side plate screw	2
790.079	39	tenon	1	760.038	6	side plate	1
790.067	2	rear sight	1	790.068	41	nose cap	1
770.064	1	front sight	1	730.159	42	nose cap pin	1
O98.024		LOCK FLINTLOCK ASSEMBLY	1	780.011	35	ramrod assembly	1
790.080	101	lock plate	1	103.000	40	tennon pin	1
790.081	106	hammer	1	730.159	19	upper ferrule pin	1



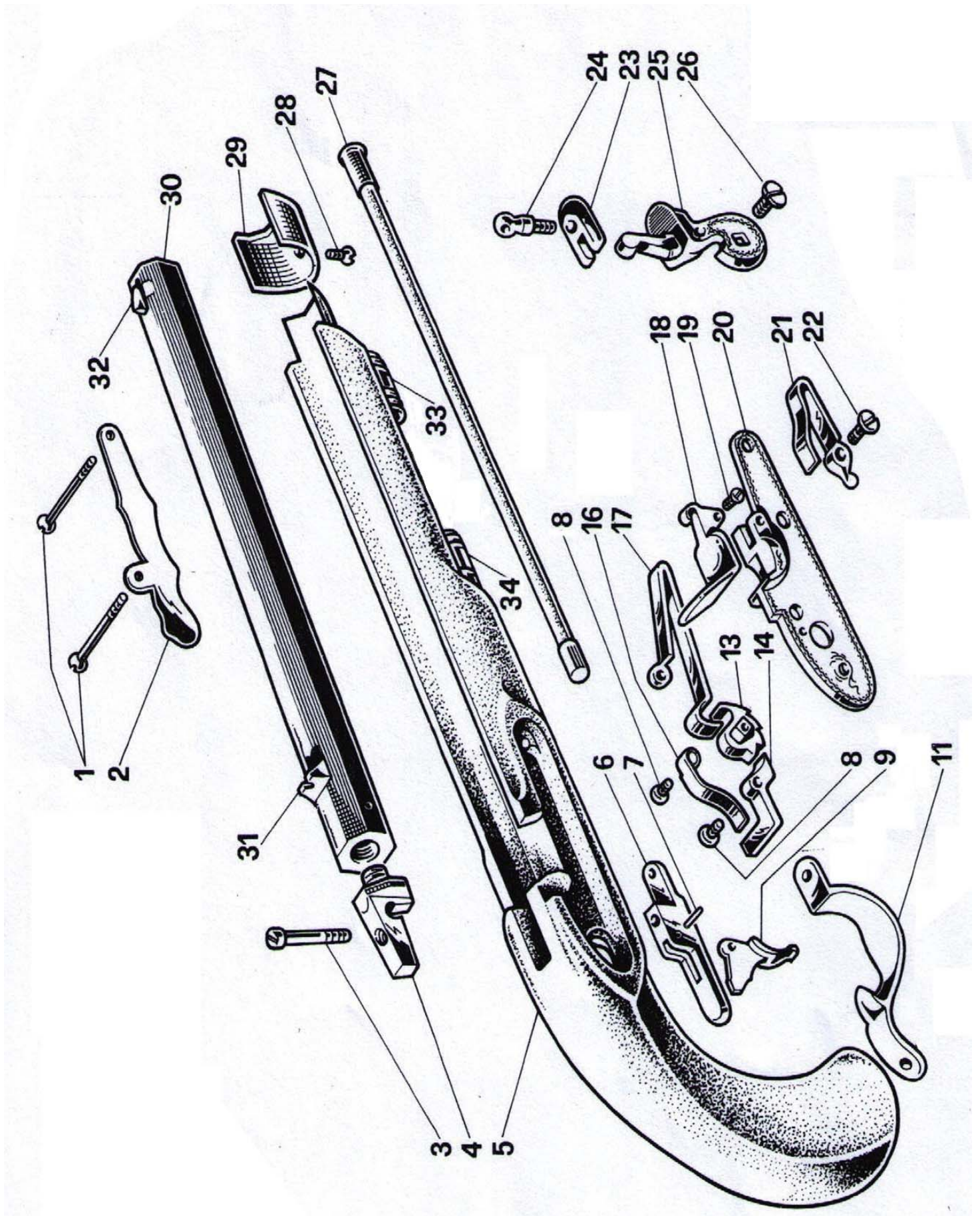
Spare Parts List 940.011-940.020 Kentucky Pistol Percussion.
Spare Parts List 940.007-940.000

ITEM ARTIC	DRAW.REF RIF.DIS	DESCRIPTION	NR.OF PART NUM.PARTI	ITEM ARTIC	DRAW.REF RIF.DIS	DESCRIPTION	NR.OF PART NUM. PARTI
O98.050		STOCK COMPLETE		790.077	13	tumbler	1
780.013	5	stock	1	790.078	14	sear	1
103.005	28	barrel cap retaining screw	4	730.178	8	sear screw	2
730.184	33-34	ramrod guide	2	721.060	16	sear spring	1
O98.056		BARREL .50 COMPLETE	1	721.063	17	main spring	1
O98.051		BARREL .45 COMPLETE	1	760.079	#	bridel	1
710.108	30	barrel c.50	1	730.377	#	bridle washer	1
710.048	30	barrel c.45	1	O98.052		SET TRIGGER COMPLETE	1
770.066	4	barrel plug	1	790.099	6-11	trigger guard	1
790.067	31	rear sight	1	790.174	9	trigger	1
790.075	104	drum	1	730.174	7	trigger plate pin	1
730.177	103	nipple	1	O98.053			1
770.064	32	front sight	1	730.173	3	barrel plug screw	1
O98.023		LOCK COMPLETE	1	730.157	1	side plate screw	2
760.042	102	lock plate percussion	1	760.038	2	side plate	1
730.180	101	hammer screw	1	790.098	29	brass barrel cap	1
790.076	100	hammer	1	780.014	27	ramrod	1



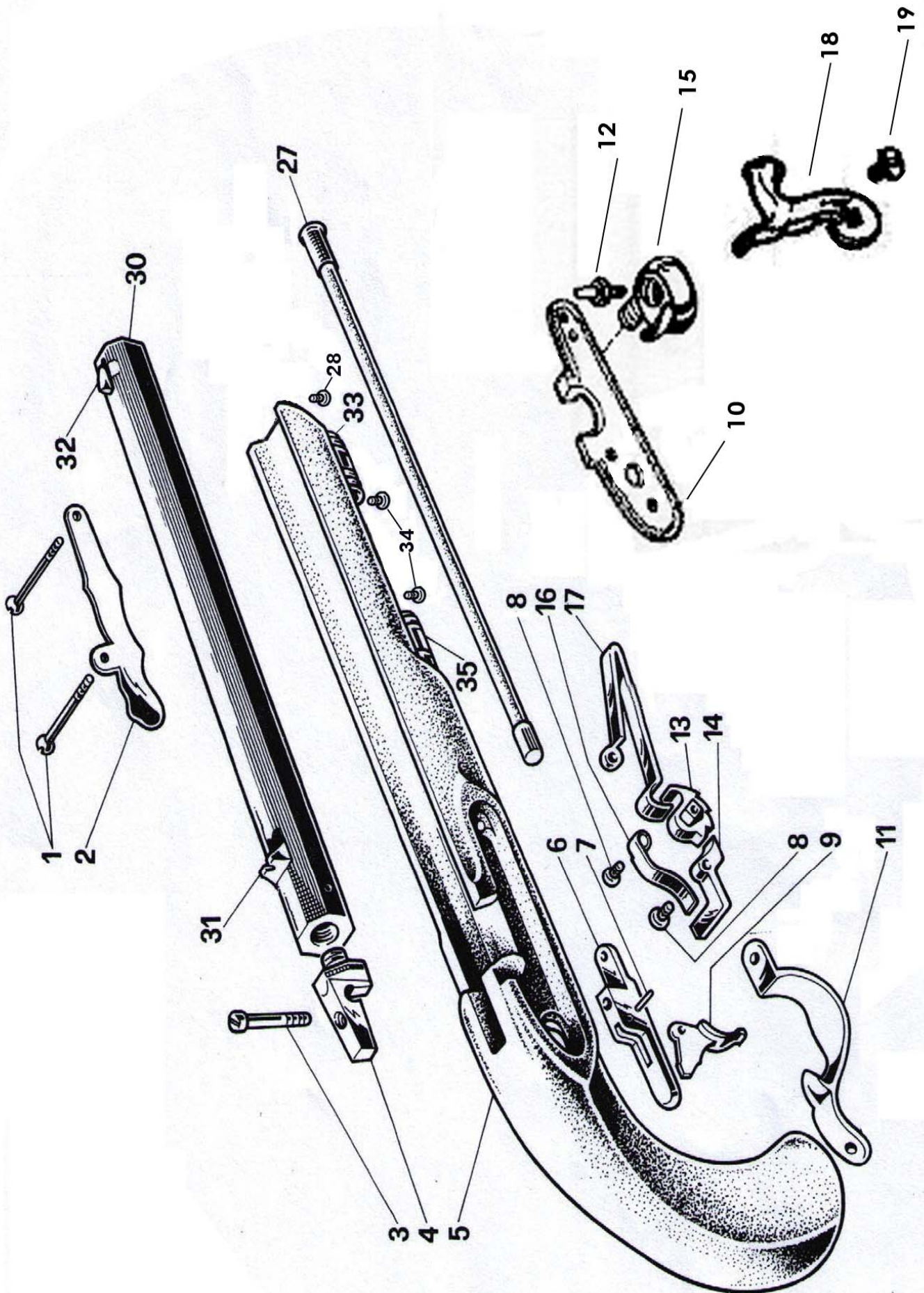
Spare Parts List 940.003-940.021 Kentucky Pistol Flintlock
Spare Parts List 940.012-940.008

ITEM ARTIC	DRAW.REF RIF.DIS	DESCRIPTION	NR.OF PART NUM.PARTI	ITEM ARTIC	DRAW.REF RIF.DIS	DESCRIZIONE	NR.OF PART NUM. PARTI
O98.050		STOCK ASSEMBLY		730.187	19	Frizzen screw	1
780.013	5	stock	1	103.006	22-15	screw	2
103.005	28	barrel cap retaining screw	4	730.167	8	sear screw	1
730.184	33-34	ramrod guide	2	790.084	13	tumbler	1
O98.057		BARREL COMPLETE C.50	1	790.085	14	sear	1
O98.055		BARREL COMPLETE C.45	1	721.068	17	main spring	1
710.109	30	barrel C.50	1	721.060	16	sear spring	1
710.045	30	barrel C.45	1	721.078	21	Frizzen spring	1
770.066	4	barrel plug	1	O98.052		SET TRIGGER COMPLETE	1
790.067	31	rear sight	1	790.099	6-11	trigger guard	1
770.064	32	front sight	1	790.174	9	trigger	1
O98.024		LOCK ASSEMBLY	1	730.174	7	trigger plate pin	1
790.080	20	lock plate	1	O98.053			1
790.081	25	hammer	1	730.173	3	barrel plug screw	1
790.082	18	Frizzen Kentucky Flintl.	1	730.157	1	side plate screw	2
790.083	23	Top jaw	1	760.038	2	side plate	1
730.188	24	Top jaw screw	1	790.098	29	brass barrel cap	1
730.180	26	hammer screw	1	780.014	27	ramrod	1



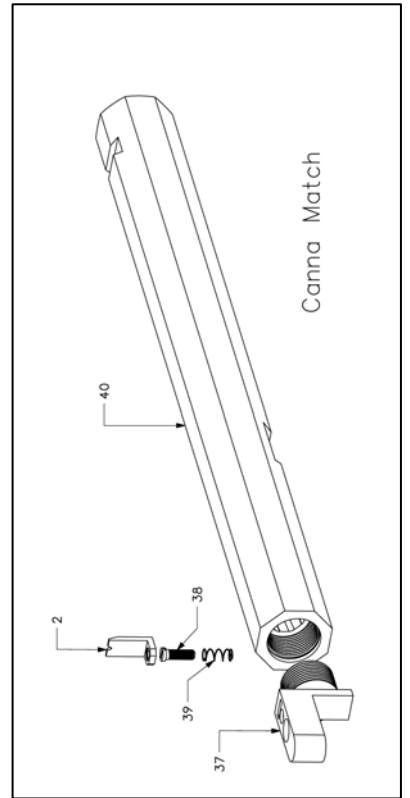
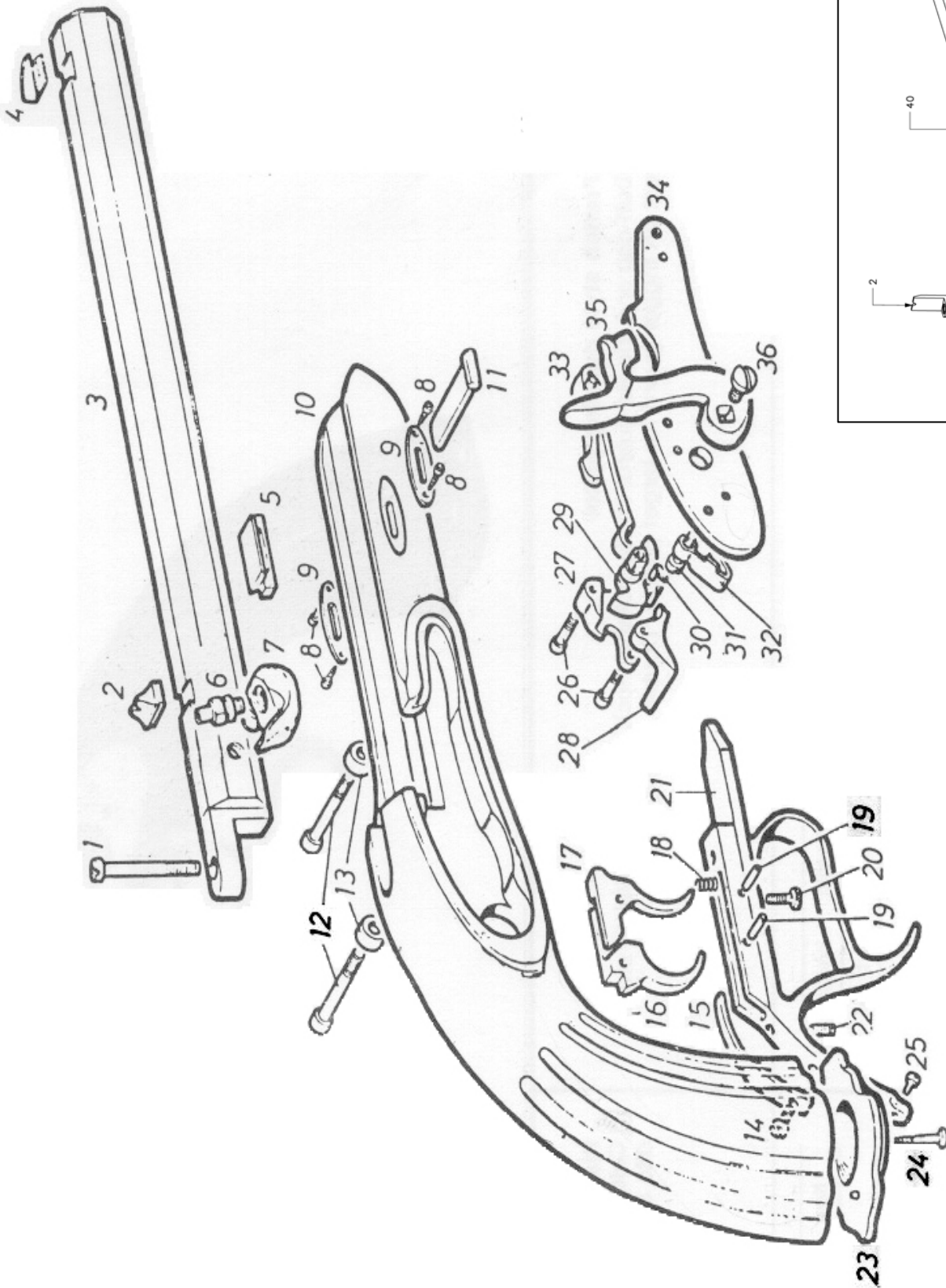
Spare Parts List 940.002-940.013 Connecticut Pistol
Spare Parts List 940.009

ITEM ARTIC	DRAW.REF RIF.DIS	DESCRIPTION	NR.OF PART NUM.PARTI	ITEM ARTIC	DRAW.REF RIF.DIS	DESCRIPTION	NR.OF PART NUM. PARTI
O98.058		STOCK ASSEMBLY		790.078	14	sear	1
780.037	5	stock	1	730.178	8	sear screw	1
103.005	34	barrel cap retaining screw	2	721.060	16	sear spring	1
730.184	33-35	ramrod guide	2	721.063	17	main spring	1
O98.059		BARREL COMPLETE		760.079	#	bridle	1
710.049	30	barrel	1	730.377	#	bridle washer	1
770.066	4	barrel plug	1	O98.052		SET TRIGGER COMPLETE	
790.067	31	rear sight	1	790.099	6-11	trigger guard	1
790.075	15	drum	1	790.174	9	trigger	1
730.191	12	nipple	1	730.174	7	trigger plate pin	1
770.064	32	front sight	1	O98.060			
O98.023		LOCK ASSEMBLY		730.173	3	barrel plug screw	1
760.042	10	lock plate percussion	1	730.157	1	side plate screw	2
730.180	19	hammer screw	1	760.038	2	side plate	1
790.076	18	hammer	1	780.014	27	ramrod	1
790.077	13	tumbler	1	103.000	28	screw	1



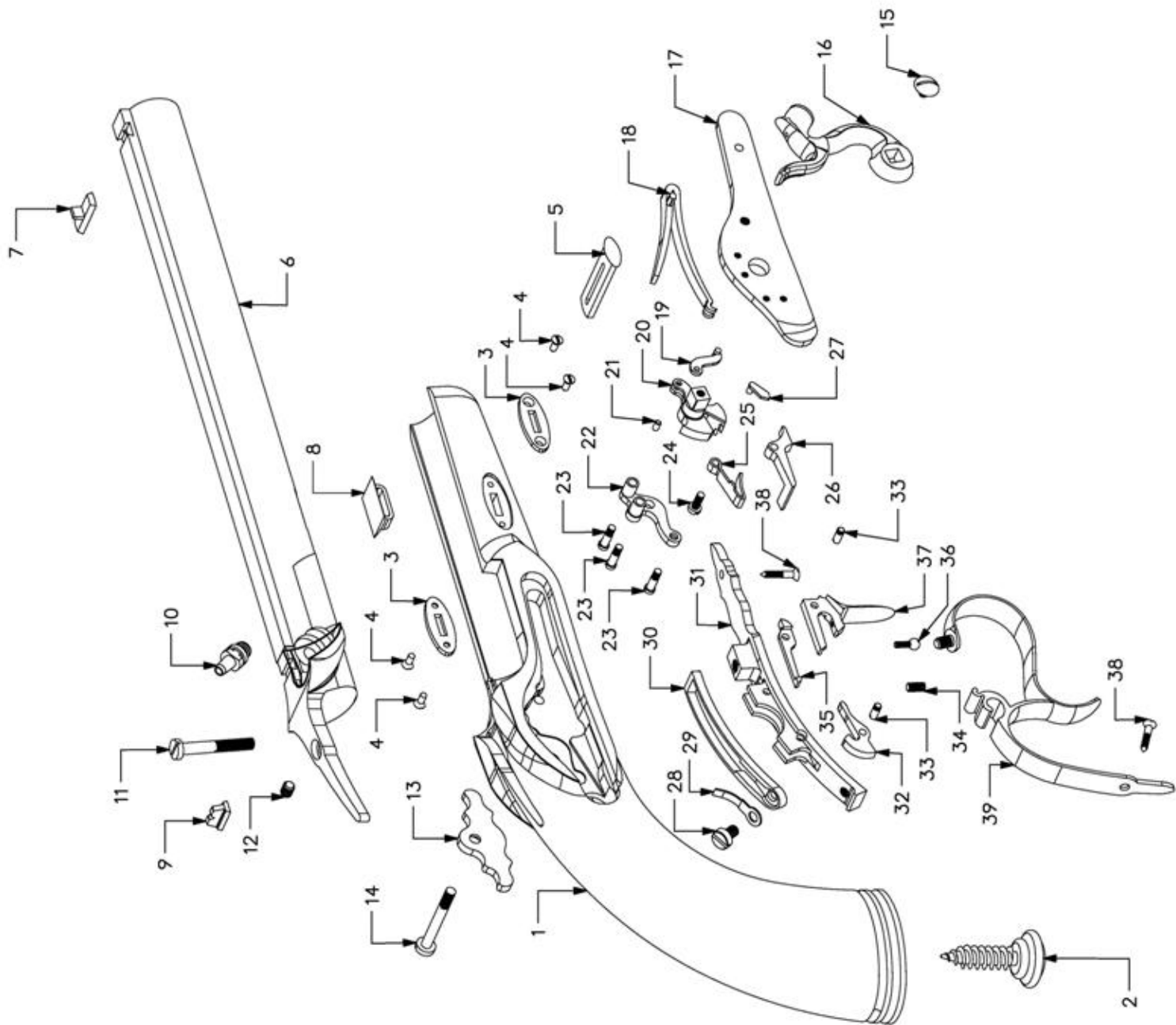
Spare Parts List 940.001-940.022 -940.030 Napoleon Le Page
Spare Parts List 940.019 – 940.029

ITEM ARTIC	DRAW.REF RIF.DIS	DESCRIZIONE	NR.OF PART NUM.PARTI	ITEM ARTIC	DRAW.REF RIF.DIS	DESCRIZIONE	NR.OF PART NUM. PARTI
O98.108		STOCK NLP .45 e Match		790.095	28	Sear Napoleon le Page	1
O98.035		STOCK PIST.NLP C.4.5		790.096	27	bridel	1
780.012	10	butt stock	1	721.101	33	main spring	1
760.095	9	wedge plates	2	721.064	32	sear spring	1
790.169	23	butt cap	1	730.178	26	brindel screw	2
125.000	24	butt cap screw	1	730.179	31	sear spring screw	1
125.001	8	wedge plates screw	4	730.180	36	hammer screw	1
O98.109		BARREL COMPLETE NLP .45		770.069	30	fly	1
O98.036		BARREL COMPLETE NLP 4,5		O98.110		SET TRIGGER COMPLETE .45 e Match	
O98.205		BARREL COMPLETE.NLP .45 MATCH		O98.091		SET TRIGGER COMPLETE.NLP .4,5	
710.047	3	BARREL.Napol.Le Page av. .45	1	790.170	21	Trig.Guard NLP 0.45 e Match	1
710.106	3	BARREL.Nap.Le Page av. .4,5	1	790.090	21	Trig.Guard NLP Le Page 4.5	1
710.165	40	BARREL.NPL av. .45 MATCH	1	790.091	17	Rear Trig. NLP 4.5, .45 e M	1
770.066		Tang Napoleon Le Page .45 e 4.5	1	790.092	16	Front Trig. NLP 4.5, .45 e M	1
770.283	37	Tang Napoleon Le Page match	1	730.174	19	trigger retaining pin	2
770.067	5	Barrel lug Napoleon Le Page 4.5, .45 e M	1	721.062	15	d.set trigger spring	1
790.086	7	Drum for nipple Napoleon Le P 4.5,.45e M	1	730.175	14	d.set trigger spring screw	1
790.067	2	Rear sight Kentucky C40 per 4.5, .45	1	730.233	20	set trigger regulatin screw	1
770.282	2	Rear sight NPL Match	1	730.176	20	set trigger regulatin screw	1
790.088	4	Front sight Napoleon Le Page 4.5,.45 e M	1	730.181	22	regulating screw for set trigger	1
730.177	6	Nipple Napoleon Le Page per .45 e M	1	720.066	18	front trigger spring	1
730.191	6	Nipple pist.Connectic.c.4,5	1	O98.089			
730.554	38	Rear sight screw NPL Match	1	730.171	13	side bushings	2
720.021	39	Rear sight spring 3,7x9x0,25 NPL Match	1	730.173	1	breech plug tang screw	1
O98.022		LOCK COMPLETE		790.097	11	wedge	1
760.044	34	lock plate	1	125.002	25	trigger guard screw	1
790.093	35	hammer	1	730.157	12	side screw	2
790.094	29	tumbler	1				



Spare Parts List 940.031-940.032 ROCHATTE A PARIS

ITEM ARTIC	DRAW.REF RIF.DIS	DESCRIZIONE	NR.OF PART NUM.PARTI	ITEM ARTIC	DRAW.REF RIF.DIS	DESCRIZIONE	NR.OF PART NUM. PARTI
098.267		STOCK COMPLETE		730.684	23	bridle screw	3
780.074	1	butt stock	1	730.686	24	sear spring screw	1
730.687	2	grip plate	1	721.120	25	sear spring	1
760.114	3	wedge plates	2	770.360	26	Sear Napoleon le Page	1
125.001	4	wedge plates screw	4	770.363	27	fly	1
098.268		BARREL COMPLETE C.45		098.270		SET TRIGGER COMPLETE	
098.273		BARREL COMPLETE C.36		103.007	28	screw	1
770.391	6	barrel C.45	1	721.176	29	trigger spring	1
770.394	6	barrel C.36	1	721.121	30	steker spring	1
770.354	7	front sight	1	770.364	31	steker set trigger	1
770.355	8	barrel lug	1	770.367	32	back sear	1
770.356	9	rear sight	1	730.690	33	steker sear screw	2
730.177	10	nipple	1	104.010	34	screw	1
104.011	12	screw	1	770.366	35	trigger sear	1
098.217		LOCK COMPLETE		730.691	36	set trigger regulation screw	1
730.688	15	hammer screw	1	770.365	37	trigger	1
790.197	16	hammer	1	790.198	39	trigger guard	1
770.358	17	lock plate	1	098.271			
721.119	18	main spring	1	770.393	5	wedge	1
770.359	19	stirrup	1	730.692	11	breech plug tang screw	1
770.361	20	tumbler	1	770.357	13	side plate	1
730.685	21	pin	1	730.689	14	side screw	1
770.362	22	bridle	1	125.002	38	screw	2



LIMITED LIFE WARRANTY

Limited Life Warranty Declaration

Armi Sport products mentioned above are warranted against defects in materials and or workmanship or functioning problems.

Armi Sport will repair the firearm at no cost to you for as long as you own your Armi Sport firearms if you are the original purchaser of the brand new gun.

Provided that no service is performed on your firearms by anyone other than Armi sport Service Dept. and that you have registered your warranty with Armi Sport within 3 months from purchase on following web-site www.armisport.it

<p>If the original purchaser do not register the warranty within three months, the Limited Life Warranty will be void</p>
--

If you do not register your warranty, your purchase will still be covered under our Standard Warranty.

Limits of the Life Warranty

Such warranty will be void if the firearms:

- Has been modified (repairs or unauthorized modification, inadequate or incorrect)
- Damaged (improper use of the gun by the user)
- Failure to provide proper maintenance.

This Lifetime Limited Warranty does not cover repairs subject to wear and corrosion.

Unauthorized alterations or service not approved or performed by Armi Sport will also void all warrantees.

Use of non standard ammunition will also void all warrantees. Armi Sport reserves the unconditional right to inspect any firearms before making any repairs or adjustments under this warranty.

Use of the Lifetime Warranty

If your firearms requires service, before shipping you must contact Armi Sport to inform about the problem found.

We will issue a Repair Number (NdR).

The firearms has to be shipped in the original packaging including a proof of purchase date, Warranty sheet and NdR ref.

Damages occurred during transport caused by improper or inadequate packaging are not covered by warranty.

Standard Warranty

Standard warranty declaration 1 year only on parts not subject to wear

Limited Warranty extension

Armi Sport products mentioned above are warranted against defects in materials and or workmanship for one year from date of original new gun retail purchase.

Be sure and save your original retail receipt, you will need to verify the date of original retail purchase should your firearms require service.

Limits of standard warranty

Such warranty will be void in case the firearms:

- Has been modified (repairs or unauthorized modification, inadequate or incorrect)
- Damaged (improper use of the gun by the user)
- Failure to provide proper maintenance.

This Lifetime Limited Warranty does not cover repairs subject to wear and corrosion.

Unauthorized alterations or service not approved or performed by Armi Sport will also void all warrantees.

Use of non standard ammunition will also void all warrantees. Armi Sport reserves the unconditional right to inspect any firearms before making any repairs or adjustments under this warranty.

Use of the Lifetime Warranty

If your firearms requires service, before shipping you must contact Armi Sport to inform about the problem found.

We will issue a Repair Number (NdR).

The firearms has to be shipped in the original packaging including a proof of purchase date, Warranty sheet and NdR ref.

Damages occurred during transport caused by improper or inadequate packaging are not covered by warranty.

If during the period of the Standard Warranty or Limited Lifetime Warranty Armi Sport will acknowledge of an eventual functioning defect, the part will be replaced.

Local laws

This Warranty Certificate grants to the purchaser specific legal rights and may be valid other rights varying from State to State in United States, from province to Province in Canada and from Nation to Nation in the rest of the world.

This Warranty Certificate could be modified in the parts not compatible with local laws. According to such laws, some exclusions or limitation mentioned in this sheet could not apply.

For example some states in U.S. (included some Canadian provinces) could:

- Preclude the exclusions and limitation of this warranty not to limit the consumer's rights;
- Limit the manufacturer's possibility to act such restriction and limitation.
- Grant customer's rights, specify the limit of the implicit warranty that the manufacturer cannot avoid or not authorize the limitation on the limits of the present warranty.

This instruction manual must always follows the firearms also in case of owner's change.

Instruction to fill in the Warranty Service Request form.

Essential datas to require warranty service are:

Repair Number

Customers datas

Description of the problem found.

Missing one of such datas the firearms will NOT be repaired and sent back at customer's expenses.

Warranty Service Request Form

NdR : _____

Write in the above space the NdR number that Service Center will notify you

1. Customers details:

- First Name and Surname: _____
- Address : _____
- Town : _____
- ZIP code : _____
- Phone : _____ Reacheable from hour ____ to hour _____
- Fax : _____ Reacheable from hour ____ to hour _____
- _____

2. Product Informations:

- Warranty service request: _____
- Modelo : _____
- Serial Number : _____

3. Dealer:

- Date of purchase : _____
- Name of Dealer/Shop : _____
- Address : _____

4. Description of the problem:

- Description of the problem : _____

Documents to include: proof of purchase

Notes:.....
.....
.....
.....
.....
.....

USEFUL LINKS

SASS – Single Action Shooting Society
23255 La Palma Av.
Yorba Linda, CA 92887
Ph 887.411.72277 714.694.188
www.sassnet.com sass@sassnet.com

NMLRA – National Muzzle Loading Rifle Association
P.O. BOX 67
FRIENDSHIP IN
PH. 812.6675131 - 800.745.1493
www.nmlra.org

CMSA – Cowboy Mounted Shooting Association
14227 E. Rock View road
Scottsdale, AZ 85262
PH 480.683.0485
turben@cowboymountedshooting.com www.cowboymountedshooting.com

MLAIC – Muzzle Loaders Associations International committee
922 Lincoln Drive, Washington C.H. Ohio 43160 USA
ph. 740.636.8544
fax 740.636.8549
www.mlaic.org

SPI – Schwarzpulverinitiative
www.spi-webspace.de



Armi Sport

Armi Sport
di Chiappa Silvia & C Snc
Via Milano N°2 Azzano Mella (BS)
Tel. 030 9749065 Fax 030 9749232
www.armochiappa.com
email: info@armisport.com



Kimar Srl
Via Milano N°2 Azzano Mella (BS)
Tel. 030 9749065 Fax 030 9749232
www.armochiappa.com
email: info@armisport.com



Chiappa Firearms, Ltd.
530 N. Union Road
Dayton, OH 45427 USA
Tel. 937-954-1040
www.chiappafirearms.com
email: info@chiappafirearms.com