

INSTRUCTION MANUAL

CHIAPPA firearms

M6



**OFFICIAL
SPONSOR**

ATTENTION: BEFORE REMOVING THIS FIREARM FROM ITS PACKAGE READ & UNDERSTAND WARNINGS, INSTRUCTIONS AND PRECAUTIONS IN THIS USER'S MANUAL

INDEX

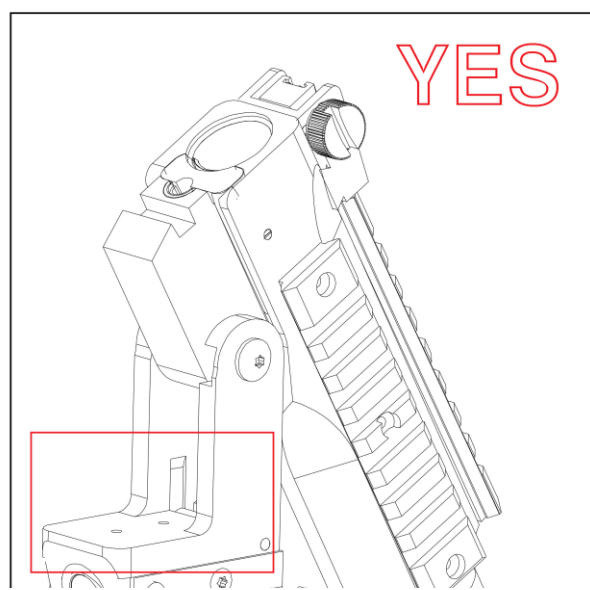
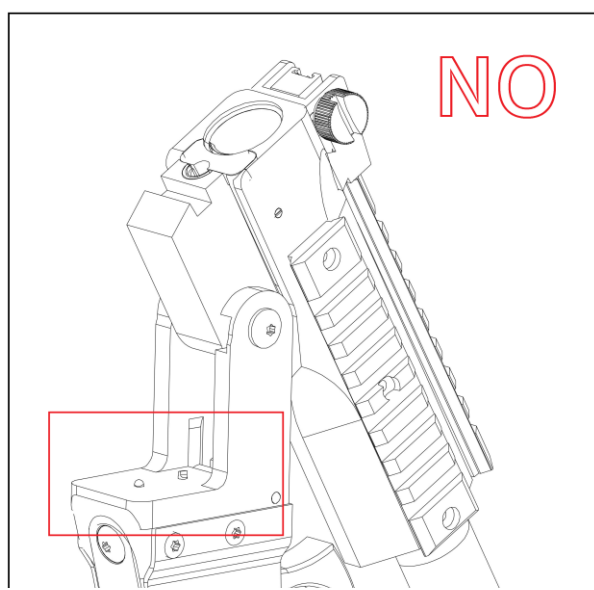
WARNING	3
SAFETY RULES	4
IDENTIFYING MARKINGS.....	6
MODEL RANGE	6
SAFETY FEATURES	8
SIGHT ADJUSTMENT	9
LOADING	9
SHOOTING/FIRING.....	9
UNLOADING.....	9
CLEANING	10
M6 EXPLODED VIEW	12
WARRANTY CONDITIONS.....	13

FOR UPDATES OF THIS MANUAL PLEASE REFER TO OUR WEBSITE
www.chiappafirearms.com

WARNING



WHEN PULLING DOWN ON THE LEVER TO OPEN THE BARRELS, THE HAMMERS ARE BEING COCKED AND THE FIRING PINS ARE RETRACTED INSIDE THE FRAME. DO NOT PULL THE TRIGGERS WHEN THE BARRELS ARE OPEN. THIS WILL CAUSE THE FIRING PINS TO STAY EXTENDED OUT FROM THE BREACH FACE AND WHEN CLOSING THE BARRELS CAN CAUSE THE FIREARM TO SLAM FIRE AND/OR DAMAGE THE FIRING PINS. ALWAYS CHECK WHEN CLOSING THE BARRELS THAT THE FIRING PINS ARE NOT EXTENDED OUT OF THE BREACH FACE. IF THE FIRING PINS ARE EXTENDED OUT OF THE BREACH FACE, PULL THE OPENING LEVER DOWN TO COCK THE HAMMERS AND RESET THE FIRING PINS INSIDE THE FRAME. SEE PICTURE BELOW FOR SAFE CLOSING OF THE BARRELS. ALWAYS KEEP YOUR FIREARM BARREL POINTED IN A SAFE DIRECTION



The manufacturer is not responsible for damage to objects caused by misuse of the gun or for injuries to persons or animals, or in case of death, caused voluntarily or involuntarily by the gun user.

The manufacturer is not responsible for injuries caused by poor maintenance, misuse of the gun, unauthorized or improper modifications.

The manufacturer declines responsibility for the indirect consequences of any injuries and / or death of persons or animals, damage to objects caused by use of the gun or by primer explosion, by bullet's ricochet, or unsafe loading practices and / or procedure.

Read the entire manual and learn the proper use of the gun without live ammunition. It is important that you understand the proper use of this product.

The life of the people close to you may depend on your safe behaviour.

If the manual is not clear, please contact the dealer where you bought the gun or call the distributor or the manufacturer by using the contact information provided within this manual.

The manufacturer declines any responsibility for misuse of the firearm. In case of alteration of the firearm, The manufacturer declines any civil and penal responsibility and will not refund any damage.

QUALITY INSPECTION: Each firearm is thoroughly inspected by the manufacturer, for function and cosmetic blemish, prior to shipment.

To guarantee the gun is safe, all guns produced in the Italian facility are sent to the National Proof House of Gardone Val Trompia – BRESCIA – ITALY for proof testing, in compliance with Italian law. The Proof House tests the firearm with heavy loads then checks the barrel, chamber and headspace to make certain the firearm is safe for use with standard factory ammunition. The National Proof House will put their markings on the gun, certifying the gun is qualified and can be sold.

Guns produced in our US facility are scrupulously tested in our premises.

Warning!

Discharging firearms in poorly ventilated areas, cleaning firearms, or handling ammunition may result in exposure to lead or other substances known to the State of California to cause birth defects, reproductive harm, and other serious physical injury. Have adequate ventilation at all times. Wash hands thoroughly after exposure.

ANY LEGAL DISPUTE WILL BE UNDER THE JURISDICTION OF A COURT IN THE STATE OF OHIO – USA, OR IN THE COURT OF BRESCIA – ITALY, AT OUR

SAFETY RULES
DISCRETION.

1. Read the instructions carefully before use. Reading the manual and careful examination of the gun are fundamental to avoid any kind of problem.
2. Be aware that you are handling a firearm; therefore your knowledge and behaviour may affect your life and those of the people close to you.
3. Guns and ammunitions must be kept in separate places.
4. ALWAYS keep guns and ammunitions out of reach of children.
5. Store the gun in a clean, dry and airy place after use to avoid rust in mechanical parts that may cause serious problems in functioning after a period of inactivity.
6. The gun must ALWAYS be stored unloaded, ALWAYS check that the chamber is empty.
7. Keep away from open flame or heating sources.
8. Never leave a loaded gun unattended.
9. Never leave the weapon loaded, it could fall and cause injury and death. Always point the gun in a safe direction, and handle it as though it were loaded. This is especially important when loading and unloading the gun, and when handing it to someone else. Never take someone's word that it is unloaded. Always make sure the gun is unloaded before laying it down or handing it to someone else.
10. After use, clean and lubricate the inside of the barrel with appropriate oil. Grease or oil build up can cause excessive pressure and result in serious personal injuries. Before using the gun again, inspect the barrel and chamber to make certain that there are no obstructions in the bore. Remove any oil residue with rod and dry patch before shooting.
11. Accumulation of rust in the barrel can cause excessive pressures resulting in serious injury and may cause the explosion of the barrel. A rusted, pitted or eroded barrel should be replaced.
12. Before shooting ALWAYS check to ensure that the barrel is free of obstructions.
13. Never force a jammed action, this act could cause explosion of the round and consequent injury.
14. Use exclusively factory loaded ammunition of the caliber specified on the firearm barrel. Use of different calibers may cause serious personal injuries to you and to people close to you.
15. In case of misfire, manually extract the cartridge from the chamber. If firearm fails to fire when trigger is pulled, as a result of slow primer ignition (hangfire), keep muzzle pointed downrange for a minimum of 30 seconds. If the round does not fire, remove the magazine, clear the weapon and examine the ejected, unfired cartridge. If the indent from the firing pin is off center, light or absent, take the gun to a competent gunsmith. If the indent appears normal compared to other rounds, assume a faulty round, separate from other cartridges, reload and continue shooting.
16. Do not attempt to re-use unexploded ammunitions.
17. NEVER modify any parts of your gun. Any alteration may cause serious personal injury and voids the warranty.
18. Only a qualified gunsmith may service the gun for repair or serious maintenance.
19. Pay great attention during transportation and use. Mechanical safety devices can fail. Developing intelligent, good safety habits is the best way to prevent accidents.
20. Never rest your finger on the trigger until the very moment you wish to shoot. Always keep the safety on until you are ready to safely shoot at an intended target (see safety features).
Note: Safety devices on guns are extras and are not a substitute for your proper and safe handling practices.
21. ALWAYS keep the gun unloaded when transporting it from home to the shooting areas. Carefully check that cartridge chamber is empty.
22. When you walk around with the gun in a shooting area, ALWAYS keep the muzzle pointed in a safe direction.
23. NEVER run with a loaded gun, don't cross any obstacle (fences or water courses, etc.) or walk where there is any possibility of slipping or falling without having your firearm unloaded and in safety position.
24. When selecting a place to shoot, always be absolutely sure of your target and the area behind it before you touch the trigger, making sure there is an adequate backstop which

will stop and contain bullets. A bullet can travel through or past your target with a range up to 1 1/2 miles. If you have any doubt, do not shoot.

25. Never shoot against a solid surface or in a pool of water, the projectiles could ricochet and shoot toward any direction. Don't shoot up into the sky.
26. Keep all bystanders behind you, standing beside a shooter is not a safe position. Make sure all other shooters and bystanders are well away from the ejection port.
27. Do not smoke while handling, loading or shooting any ammunition, especially black powder. Keep black powder in a closed container at all times, reclosing the container after each and every use.
28. Never drink alcoholic beverages or take any drugs before or during shooting, as this not only constitutes criminal disregard for your safety and that of others, but will seriously impair your judgment and vision. Never use a gun while you are taking medication unless you have checked with your doctor to ensure your fitness to handle the gun safely.
29. Always wear and encourage others near you to wear proper ear protection when shooting, especially on a range since the noise from your gun, and other guns close to you, could result in permanent hearing loss.
30. Always wear protective shooting glasses to protect your eyes from injury by gun powder, gas, lubricant, dirt or metallic particles, carbon residue, sparks or other debris.
31. Wash hands thoroughly after shooting and handling firearms to remove any unwanted residues.
32. NEVER leave the loaded firearm or the loaded magazine in the sun
33. By replica firearms there is no modern safety. In this case you must pay even more attention to safety rules.

REMEMBER: No mechanical safety device is infallible.

The user is responsible for injuries or damages caused to him or to other persons.

COMPLETE KNOWLEDGE OF YOUR FIREARM CAN MAKE THE DIFFERENCE.

IDENTIFYING MARKINGS

Every gun we produce has a serial number that is marked on the receiver/frame. Close to the serial number you will also find the manufacturers information with the model name and caliber marked either on the frame or the slide as required by law.

These markings must not be removed from the firearm for any reason.

MODEL RANGE

CODE	DESCRIPTION	CALIBER	Barrel length		Total length		Weight	
			in	cm	in	cm	Kg	lbs
500.125	CHIAPPA M6 20ga/22lr 18,5" OverUnder	20/22LR	18,5	47	33,8	86	1,5	2,8
500.188	CHIAPPA M6 12ga/22lr 18,5" OverUnder	12/22LR	18,5	47	33,8	86	1,5	2,8
500.189	CHIAPPA M6 20ga/22lr 18,5" OverUnder	20/22lr	18,5	47	33,8	86	1,5	2,8
500.182	CHIAPPA M6 12ga/22 mag. 18,5" OverUnder	12/22mag	18,5	47	33,8	86	1,5	2,8
500.183	CHIAPPA M6 20ga/22mag. 18,5" OverUnder	20/22mag	18,5	47	33,8	86	1,5	2,8

WITH SET OF INSERTS

CODE	DESCRIPTION	CALIBER	Barrel length		Total length		Weight	
			in	cm	in	cm	Kg	lbs
CF500.184	CHIAPPA M6 12ga/22lr 18,5" WITH INSERTS	12/22LR	18,5	47	33,8	86	1,5	2,8
CF500.186	CHIAPPA M6 20ga/22lr 18,5" WITH INSERTS	20/22lr	18,5	47	33,8	86	1,5	2,8
CF500.182	CHIAPPA M6 12ga/22 mag. 18,5" WITH INSERTS	12/22mag	18,5	47	33,8	86	1,5	2,8
CF500.187	CHIAPPA M6 20ga/22mag. 18,5" WITH INSERTS	20/22mag	18,5	47	33,8	86	1,5	2,8

AMMUNITION

NOTICE

WE SPECIFICALLY DISCLAIM RESPONSIBILITY FOR ANY DAMAGE OR INJURY WHATSOEVER OCCURRING IN CONNECTION WITH, OR AS THE RESULT OF, THE USE OF FAULTY, OR NONSTANDARD, OR “REMANUFACTURED” OR HANDLOADED (RELOADED) AMMUNITION, OR OF CARTRIDGES OTHER THAN THOSE FOR WHICH THE FIREARM WAS ORIGINALLY CHAMBERED.

- Death, serious injury, and damage can result from the use of wrong ammunition, bore obstructions, powder overloads, or incorrect cartridge components.
- Use only ammunition specifically recommended for your firearm (the caliber is specified on the barrel/cylinder/frame).
- Always use cartridges whose length is equal or inferior to that indicated on the barrel.
- Use only high quality, original factory manufactured ammunition whose pressure cannot be higher than the one stated by S.A.A.M.I. or C.I.P.
- Your gun has been designed for ammunition of a specific caliber – do not alter the barrel, chamber, caliber for which your gun was designed.
- Be sure you never mix ammunition.
- Firearms may be severely damaged, and serious injury to the shooter or others may result from any condition causing excessive pressure inside the chamber or barrel during firing. Excessive pressure can be caused by obstruction in the barrel, propellant powder overloads, or by the use of incorrect or defectively assembled cartridges. In addition, the use of a dirty, corroded or damaged cartridge can lead to a burst cartridge case and consequent damage to the firearm and personal injury from the sudden escape of high-pressure propellant gas within the firearm's mechanism.

Immediately stop shooting and check the barrel for a possible obstruction whenever:

- You have difficulty in, or feel unusual resistance in chambering a cartridge
- A cartridge misfires (does not go off)
- The mechanism fails to extract a fired cartridge case
- Unburned grains of propellant powder are discovered spilled in the mechanism
- A shot sounds weak or abnormal

In such cases it is possible that a bullet is lodged part way down the barrel. Firing a subsequent bullet into the obstructed barrel can damage the firearm and cause serious injury to the shooter or bystanders.

Bullets can become lodged in the barrel:

- If the cartridge has been improperly loaded without propellant powder, or if the powder fails to ignite. Ignition of the cartridge primer alone will push the bullet out of the cartridge case, but usually does not generate sufficient energy to expel the bullet completely from the barrel.
- If the bullet is not properly seated tightly in the cartridge case. When such a cartridge is extracted from the chamber without being fired, the bullet may be left behind in the bore at the point where the rifling begins. Subsequent chambering of another cartridge may push the first bullet further into the bore.
- If there is any reason to suspect that a bullet is obstructing the barrel, immediately unload the firearm and look through the bore. It is not sufficient to merely look in the chamber. A bullet may be lodged some distance down the barrel where it cannot easily be seen. If a bullet is in the bore, do not attempt to shoot it out by using another cartridge, or by blowing it out with a blank or one from which the bullet has been removed. Such techniques can

generate excessive pressure, damage the firearm and cause serious personal injury. If the bullet can be easily removed with a wood or brass dowel, (using hand pressure only, never "hammer" a bullet lodged in the bore) clean any unburned powder grains from the bore, chamber and mechanism before resuming shooting. If the bullet cannot be dislodged by tapping it with a cleaning rod, take the firearm to a gunsmith.

- Dirt, corrosion, or other foreign matter on a cartridge can impede complete chambering and may cause the cartridge case to burst upon firing. The same is true of cartridges which are damaged or deformed.
- Don't oil cartridges, and be sure to wipe the chamber clean of any oil preservative before commencing to shoot. Oil interferes with the friction between cartridge case and chamber wall that is necessary for safe functioning, and subjects the firearm to stress similar to that imposed by excessive pressure.
- Use lubricants liberally on the moving parts of your firearm. Avoid excessive spraying of any aerosol gun care product, especially where it may get on ammunition. All lubricants, and aerosol spray lubricants in particular, can penetrate cartridge primers and cause misfires. Some highly penetrative lubricants can also migrate inside cartridge cases and cause deterioration of the propellant powder; on firing, the powder may not ignite. If only the primer ignites, there is a danger that the bullet may become lodged in the barrel.

The use of reloaded or improper ammunition voids the warranty.

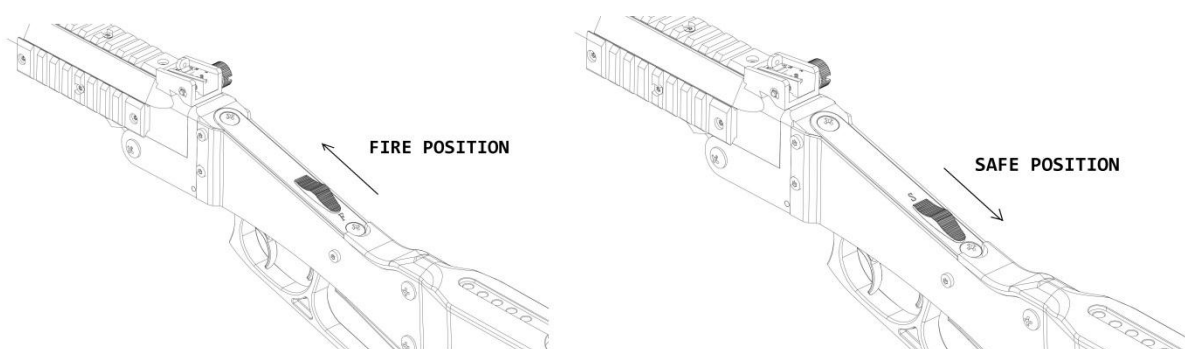
SAFETY FEATURES

NEVER ASSUME THE GUN IS UNLOADED. You can never be sure a gun is unloaded unless you check that the charger is not in place/ the cartridge chamber / magazine tube / cylinder is completely empty.

Never rely solely on mechanical features alone - always be extremely careful, use safe gun handling practices, and avoid situations which could lead to an accident. This firearm is equipped with several safety features which, if properly employed, can minimize the danger of accidental discharge.

MANUAL SAFETY

The safety button is placed on top of the receiver and can be moved upwards and downwards; when you move the safety button upward, you will disclose the letter "F": the rifle is ready to fire. When you move the safety button downward, you will disclose the letter "S": the rifle is in safety position. Moving the manual safety button in safe position will block the trigger.



SIGHT ADJUSTMENT

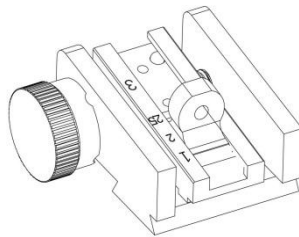
The front sight is a fixed fiber optic sight.
The rear sight is adjustable in height and windage.

Setting of the rear sight

The **windage knob** is adjusted by moving the leaf up and down. There are 4 possible positions, each defined by a click. The windage is adjusted by turning the windage knob (part # 33 from exploded view).

Mounting an optical sight

To mount an optical sight, the standard sight can be removed by loosening the nuts on the base of the sight. This will provide a standard rail for mounting of optics.



STANDARD SIGHT

LOADING

Warning: Keep muzzle pointed in safe direction and follow all safety procedures at all times. Practice these steps with an unloaded gun or dummy ammo until you are completely familiar and comfortable with the procedures. Use live ammo only when you are prepared to shoot. Always use clean, dry, high quality ammunition (of the proper caliber) that meets industry performance standards.

Push the trigger guard completely, and bend the two parts of the rifle to almost 90°. Push the safety lever back, so that the letter "S" is completely visible. Insert the cartridges inside the cartridge chambers paying attention that they are the correct calibers. Close the firearm, which will now be armed but in safety position.

SHOOTING/FIRING

Always wear eye and hearing protection when shooting.

1. Point muzzle in a safe direction.
2. Load gun as previously directed.
3. Grip the frame firmly.
4. (Disengage the safety).
5. Place index finger on trigger, take aim and fully pull the trigger rearward.

NOTE: the front trigger will fire the upper barrel; the rear trigger will fire the lower barrel.

UNLOADING

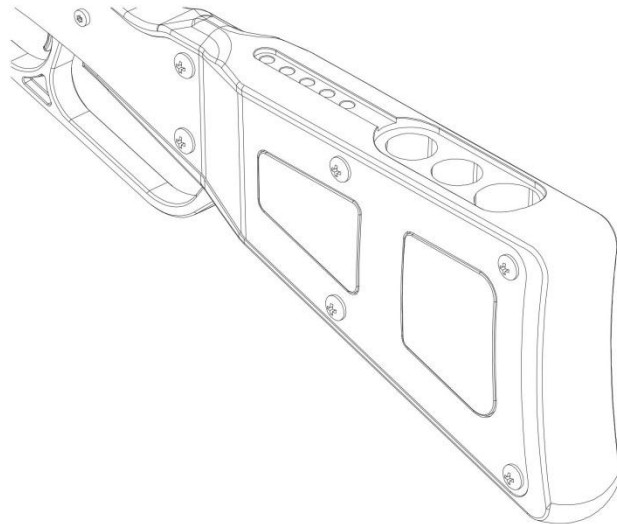
Open the opening lever and bend the rifle as by the loading operation; the extractor is automatically jutting out, allowing you to retrieve the cartridges.

CLEANING

Attention: Careful and detailed cleaning of this firearm is essential to guarantee its safety and proper function.

This product should be cleaned and lubricated after every use and when exposed to dirt, sand, etc. When not in use, clean at least twice per year. A careful and scrupulous ordinary maintenance of the firearms is essential to guarantee its safety and long life.

Warning: Always use a cleaning rod from the chamber end of the barrel.



M6 models feature three standard **picatinny rails** placed on top and on the sides of the rifle, to mount your favorite accessories.

The structure of the whole rifle is made of steel, but the **stock** is a metal caging encasing a preformed polypropylene foam stock. Chiappa Firearms is the first company to employ this material in a firearm. Polypropylene foam is the material used for instance for bumpers in automotive, or for stools and other pieces of furniture. Its thick weft offers great durability and an excellent comfort, while the weight is almost irrelevant. The ergonomic stock has a housing for ammunition (5 holes for .22 caliber cartridges and 2 holes for 12/20) and the maintenance / cleaning kit.

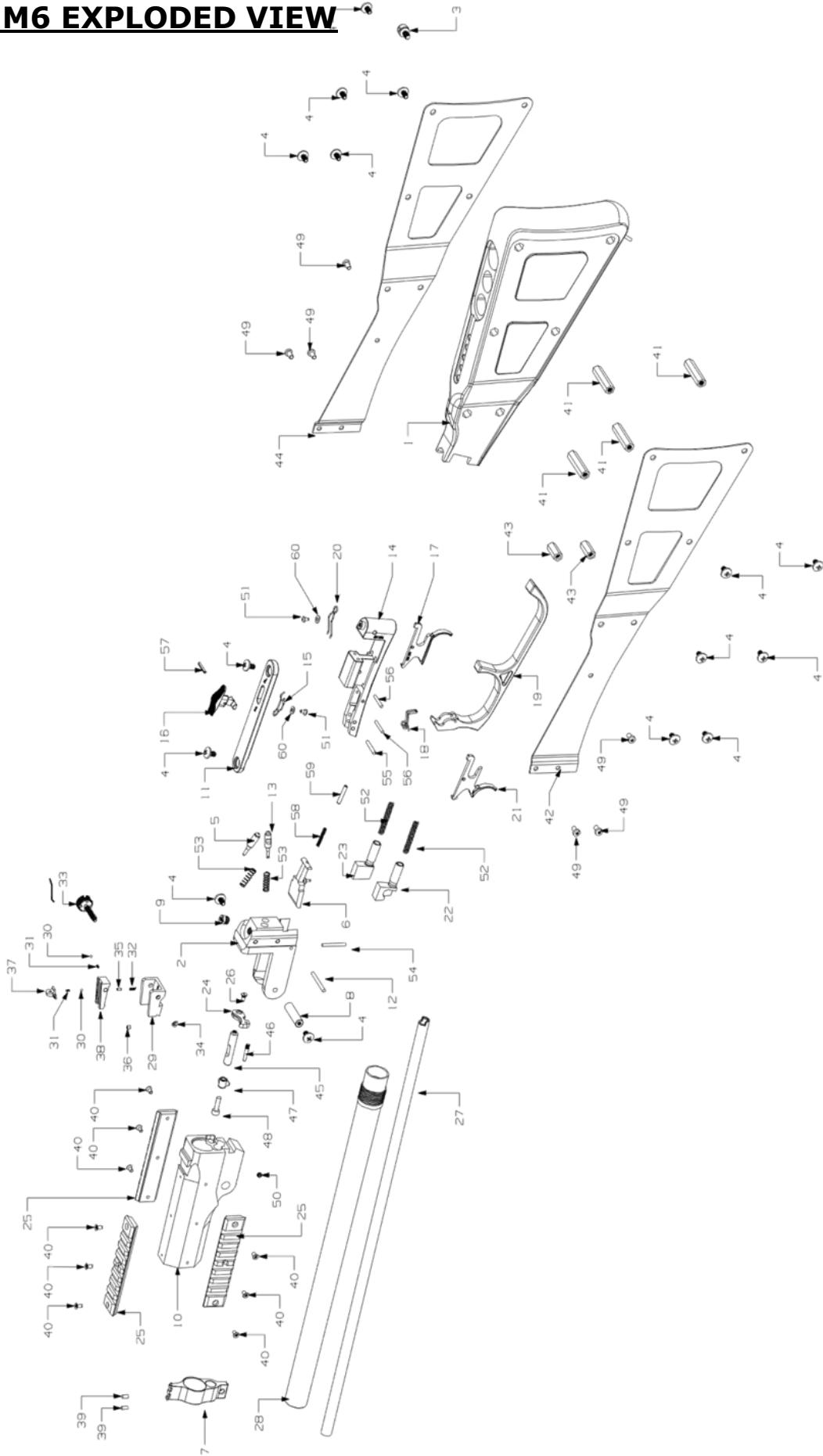
The rifle is designed to mount a **belt**: the front sight has a loop underneath, and one of the screws in the stock can be partially unscrewed to reveal a hole for the belt swivel. This looped screw can be placed in any position of the stock.

By simply pressing a lever, the rifle can be **bent in two**, reaching a total length of 18.5 " - that is, the length of the barrel - to be easily carried in a backpack.

M6 PARTS LIST

REF CODE	DESCRIPTION	REF	CODE	DESCRIPTION
1	750.237 X-CALIBER polypropylene stock	29	740.467	Rear sight base
1	750.240 Polypropylene stock, M6, X-Caliber	30	130.021	Sphere dia.2
2	700.164 Receiver	31	720.032	Spiral spring 2x2x0,3
3	731.092 Swivel belt screw	32	720.003	Spiral spring 2x6x0.4
4	103.015 Cylindr. phillips screw M4X8 11mm head	33	731.037	Rear sight screw LITTLE BADGER
5	731.094 Firing pin	34	140.001	Snap ring 2,3 shaft 3
6	770.621 Plug	35	130.100	Roller 2x3,8 dia
7	740.480 X-CALIBER front sight	36	104.023	Grub Nut M3x3
7	740.483 Front sight, M6 - XCaliber	37	740.469	Rear sight leaf
8	731.088 Bushing for barrel shroud / receiver	38	740.468	Rear sight ladder
9	731.097 Bushing for rear tang	39	104.025	Grub nut, M3x6
10	770.618 X-CALIBER barrel shroud	40	101.005	Self-threading TSP torx screw M3x6
10	770.625 Sleeve M6/X-Caliber	41	731.086	Stock insert, long
11	740.478 Tang	42	760.186	Stock steel plate, left
12	130.111 Pin for receiver / trigger guard	43	731.085	Stock insert, short
13	731.095 Rimfire firing pin	44	760.185	Stock steel plate, right
14	740.479 Trigger guard	45	731.096	Extractor pin
15	721.188 Safety spring	46	731.117	Extractor pin X-Caliber/M6
16	740.481 Safety button	47	770.620	Extractor cam
17	790.237 Right trigger	48	101.002	TORX screw M4x14
18	721.190 Lever spring	49	110.007	Oval thread rolling screw M4X7 TORX
19	790.235 Lever	50	104.014	Grub screw HOLO-KNURL POINT 8-32x1/8
20	721.189 Trigger spring	51	101.014	Round head screw 10.9 TB TORX M3X5
21	790.236 Left trigger	52	720.142	Main spring -Spiral spring 4.9x40x1,22c
22	770.623 Left hammer	53	720.067	Spiral spring 5,7x19,5x0,4
23	770.622 Right hammer	54	130.114	Roll d.3x24
24	770.619 X-CALIBER extractor plate	55	130.040	Roller 3x18
24	770.624 M6 extractor plate	56	130.110	Roll d.2.5x17.8
25	750.147 Picatinny rail	57	130.096	PIN 2X16
26	100.010 Allen screw M3X6 countersunk	58	720.144	Spiral spring 2.9x19x0.55 17 coils
27	731.099 Barrel cal. .22LR	59	130.013	PIN 3x19,8
28	731.098 Barrel cal. .12GA, 18,5"	60	140.026	Washer diam.3
28	731.100 Tube cal. 20ga - M6			

M6 EXPLODED VIEW



WARRANTY CONDITIONS

The manufacturer guarantees that our products are scrupulously checked against defects in materials, workmanship and aesthetical and functioning problems.

In case you find a defect in one of our products, you should immediately contact the DEALER/SHOP/GUNSMITH where you have bought your gun. The seller will indicate the conditions for the repair, which will be either made directly by them or through our assistance.

ATTENTION: end users are not allowed to ship any gun directly to the manufacturer for repair, either under guarantee or against payment. Transportation of weapons is strictly regulated and the documents which are required can solely be issued by companies with specific authorization.

1. The manufacturer guarantees, for a year after the purchase date, the free substitution of parts for defects which have been found out during use: wear of parts which shouldn't be subject to wear, or excessive wear of parts subject to wear. The customer will have to give evidence of the purchase date with a bill or other valid proof.
2. In case the defect under cover of guarantee is not repairable, The manufacturer will provide for a free substitution of the weapon.

THE MANUFACTURER RESERVES THE RIGHT OF DEFINING THE TYPE OF DEFECT OF THE FIREARM, AND THEREFORE TO STATE WHETHER THE DEFECT IS COVERED BY GUARANTEE

The manufacturer's decision will be fair but final.

The manufacturer will be allowed a timing of 60 days for repair under guarantee, and 90 days for free substitution.

We strongly recommend that you keep the receipt or proof of purchase for any Chiappa Firearms product

Should the manufacturer become aware of a defect of a product during the guarantee period, the defective part will be replaced free of charge.

The guarantee does not cover parts subject to wear and corrosion

ATTENTION: delivery expenses to and from the service center are not covered by the guarantee and will be charged to the customer.

THE GUARANTEE IS VOID IN CASE:

- Inadequate ammunition has been used (any ammunition but those commonly on sale, reloaded ammunition, different from caliber and specification indicated on the firearm barrel)
- The firearm failed to be provided proper maintenance and cleaning
- The firearm has been modified without our prior consent
- Unauthorized, inadequate or incorrect repairs have been carried out
- Non original spare parts were used
- Parts subject to wear and corrosion
- Damage (improper use of the gun by the user)
- Expired guarantee

In the above cases the repair, if carried out, will be charged to the customer

In case, for any valid reason, you do not have the possibility to obtain repair under guarantee at the shop where you bought the firearm, you may contact us directly; we will indicate a local dealer to support you with the repair file:

USA - Phone: +1-937-835-5000

CANADA (Murray Charlton) – Phone +1-778.426.3884

e-mail: murray.mdcent@gmail.com

REST OF THE WORLD - Phone: +39/030/9749065

e-mail: info@chiappafirearms.com

**This instruction manual must always follow the firearm,
also in case of change of ownership**

Procedure for the use of warranty

REGISTER your firearm in the proper section of our website:

<http://www.chiappafirearms.com/registration>

CONTACT the gunshop where the product was bought, or the Chiappa Firearms facility for USA, Canada or Rest of the World as indicated above. You will receive an NDR number and the instructions to return the gun.

FILL IN the attached form, which will accompany the return firearm. Don't forget to include the NDR number, a description of the defect and a copy of the proof of the purchase indicating the purchase date.

SHIP the weapon to the gun shop (or to the service center) in its original packing, according to the instructions you have received.

ATTENTION: the returned firearm must be protected with adequate packaging; any damages occurred during transportation and handling will be the customer's responsibility

REPAIR UNDER GUARANTEE

NdR NDR : _____

**Please write in the above box
the Repair Authorization Number**

1. Customer data:

- Name: _____
- Address : _____
- Town : _____
- ZIP Code : _____
- Phone : _____ Available from ____ to ____
- Fax : _____
- Email address: _____

2. Product information:

- Model : _____
- Serial number : _____

3. Gun Shop - dealer:

- Purchase date : _____
- Dealer name : _____
- Dealer address: _____

4. Description of defect:

Documents to attach: Proof of purchase with date



www.chiappafirearms.com

Brescia, Italy   Dayton, OH

Via Milano, 2 • 25020 Azzano Mella • Brescia, Italy • +39.030.97.49.065

1415 Stanley Ave • Dayton, OH • USA • +1.937.835.5000

info@chiappafirearms.com