
**WARNINGS AND
INSTRUCTIONS MANUAL**

SHARPS PERCUSSION RIFLE

by Davide Pedersoli

.45 | .54



**IMPORTANT!
READ THESE WARNINGS AND INSTRUCTIONS
BEFORE USING FIREARM!**

© Copyright 2011



FOR YOUR SAFETY AND THE SAFETY OF OTHERS, this owner's manual contains important warnings, instructions and safety procedures which must be understood BEFORE using this firearm. Read the **ENTIRE MANUAL** and if you do not understand any part of it or the operation of your rifle, stop and seek professional firearms instruction.

Make a copy of this manual, proof of purchase/sales record for safekeeping in a secure safe or fireproof container. Such proof is necessary if the firearm is damaged, stolen or sent in for warranty repair.

DAVIDE PEDERSOLI RIFLES

WARNINGS AND INSTRUCTIONS MANUAL

PLEASE READ THESE INSTRUCTIONS

Index:

Pag. 4.....	WARNINGS
Pag. 9.....	BASIC PARTS OF YOUR RIFLE
Pag.10.....	IMPORTANT NOTES ABOUT HISTORICAL FIREARM DESIGN
Pag.11.....	DOUBLE SET TRIGGER
Pag.14.....	LOADING AND UNLOADING YOUR RIFLE
Pag.17.....	DISASSEMBLY & RE-ASSEMBLY OF YOUR RIFLE
Pag.20.....	EXPLODED VIEW
Pag.25.....	MANUFACTURER'S WARNING
Pag.26	WARRANTY

WARNINGS

YOU RISK PERSONAL INJURY OR DEATH BY HANDLING THIS FIREARM

Before handling any firearm, make sure you know the safety procedures and most importantly, keep the firearm pointed in a safe direction.

Before handling this firearm, read, understand and follow the instructions in this manual. Always keep this manual with the firearm. If you lend, give or sell this firearm, be sure the manual goes with it. If there is anything you do not understand, seek advice from someone qualified in safe handling of firearms. You must ALWAYS obey the following warnings, instructions and safety procedures:

1. Always keep the muzzle pointed in a safe direction.
2. Firearms should be unloaded and secured when not actually in use.
3. Don't rely on your firearm's safety.
4. Be sure of your target and what's beyond it.
5. Use black powder or a good quality black powder substitute ONLY.
6. If your firearm fails to fire when the trigger is pulled, handle with care.
7. Always wear ear and eye protection when shooting.
8. Be sure the barrel is clear of obstructions before shooting.
9. Don't alter or modify your firearm and have it serviced regularly.
10. Learn the mechanical and handling characteristics of your rifle.
11. Never smoke while loading, shooting or handling black powder, black powder substitutes or any other powder.
12. Never let the hammer fall without a percussion cap on the nipple.
13. Black powder's residue is highly "hygroscopic" (attracts water) and will rust you gun if not promptly cleaned.
14. Use only non synthetic cloth patching for cleaning this firearm.
15. Treat a misfire or failure to fire with extreme care.
16. Never attempt to shoot out a bullet which is not firmly seated against the black powder, or black powder substitute, charge.
17. Shoot sober!

 **WARNING: USE BLACK POWDER OR BLACK POWDER SUBSTITUTES ONLY - NEVER USE ANY AMOUNT OF SMOKELESS POWDER.**

All Davide Pedersoli guns have been proof tested at the National Proof House in Gardone Val Trompia, Italy with a forced test firing, as the mark stamped on each gun testifies. Each barrel carries the words "Black Powder only". Under no circumstances should any powder other than black powder or black powder substitutes be used in this gun. Use of any other propellant may cause serious injury to the shooter and damage to the gun. Black powder should never be stored in a plastic container, which could build a static electricity charge. Keep black powder and black powder substitutes in their original container away from heat sources.

 **WARNING: PRIMERS AND PERCUSSION CAPS SHOULD BE STORED IN A SEPARATE LOCATION FROM BLACK POWDER.**

WARNING

LEAD

The actual firearm does not contain any lead; however, it does fire bullets made of lead or lead compounds known to cause cancer, birth defects, reproductive toxicity, and other serious physical injury. Those who discharge a firearm, stand near someone who discharges a firearm or clean firearms are hereby warned of the

dangers presented by lead and lead compounds and should take protective health measures. Avoid exposure to lead while handling and wash your hands after contact. Proper air ventilation is absolutely necessary when shooting indoor.

NOTICE

MUZZLE LOADING GUNS CAN BE DANGEROUS IF IMPROPERLY USED

Pedersoli. shall not be responsible in any manner whatsoever for malfunctioning of the gun, for physical injury or for property damage resulting in whole or in part from **(1)** intentional or negligent discharge, **(2)** improper or careless handling, **(3)** unauthorized modifications and/or alteration of the internal/safety mechanisms, **(4)** defective, improper, high pressure, hand-loaded, or reloaded ammunition, **(5)** corrosion and/or lack of proper maintenance **(6)** neglect, or **(7)** other influences beyond our direct and immediate control. This limitation applies regardless of whether liability is asserted on the basis of contract, negligence or strict liability (including any failure to warn). Under no circumstance shall Pedersoli. be liable for incidental or consequential damages, such as loss of use of property, commercial loss and loss of earnings or profits.

FOLLOWING THESE SAFETY RULES CAN SAVE YOUR LIFE OR THE LIFE OF SOMEONE ELSE

Get competent firearms instruction in safe handling before using this gun. Please ask your dealer for names of qualified instructors near you. All guns are extremely dangerous if carelessly handled or used. Remember that the firearm user is the primary "safety" and that reliance on any mechanical safety device should never replace safe handling procedures.

This firearm **WILL FIRE** if the trigger is pulled while black powder is in the chamber and a percussion cap is on the nipple.

Percussion Caps are sensitive to static electricity, heat, flame and impacts. Do not use glass containers to store them, but leave them in their original containers.

Treat a misfire or failure to fire with extreme care. Keep the gun pointed in a safe direction and wait for at least one full minute before re-priming; there is always the chance a spark could be smouldering in the powder and the gun could fire at any moment.



WARNING: NEVER SHOOT A BULLET THAT IS NOT FIRMLY SEATED OVER THE BLACK POWDER OR BLACK POWDER SUBSTITUTE CHARGE. SHOOTING THE FIREARM WHILE THERE IS AN EMPTY SPACE BETWEEN THE PROJECTILE AND BLACK POWDER COULD CAUSE SERIOUS DAMAGES TO THE FIREARM AND INJURY TO THE SHOOTER AND THOSE AROUND YOU.

If powder fouling or other circumstances should cause the projectile to become lodged in the bore, partially down the barrel, the bullet must be removed with a screw tip style bullet-puller. Some black powder solvent can be poured to soften any fouling which could be holding the bullet. **A reference mark on the ramrod will insure that all future bullets are seated to the same depth and firmly seated against the powder charge.**

DO NOT LOAD THIS RIFLE UNTIL YOU UNDERSTAND HOW IT OPERATES. KEEP this rifle unloaded at all times except when you are ready to fire and are sure of your target.

ALWAYS carry this rifle in a case or original box unloaded.

Get instructions from a competent firearms instructor before using this or any firearm. Learn from a professional how to handle, load, unload, operate, fire and care for your gun.

NEVER point this rifle at anything that is not your intended target even if the rifle is unloaded. When loading, unloading, cleaning or handling, always be sure the muzzle is pointed in a safe direction and always keep your finger off the trigger.

NEVER assume any gun is unloaded. Before handling, check to make sure the chamber is empty. See Unloading Instructions. Make sure you know that this or any firearm is fully unloaded before displaying or handling it. When handling any firearm, keep your fingers away from the trigger at all times until you intend to fire.

FOLLOWING THESE SAFETY RULES CAN SAVE YOUR LIFE OR THE LIFE OF SOMEONE ELSE

ALWAYS keep the gun pointed in a safe direction. Treat every gun as if it is loaded...all the time. **NEVER** point any firearm (loaded or unloaded) at any person or anything you do not intend to shoot. Always keep your gun unloaded until ready to use and make sure that it is unloaded before cleaning.

Keep your finger **OFF** the trigger until you are actually aiming at the target and ready to shoot. Learn to rest your finger outside of the trigger guard.

NEVER PLAY with your firearm. It is not a toy and can be a very dangerous weapon that can cause serious personal injury or death.

DO NOT use your firearm for purposes other than those for which it was designed.

DO NOT allow a firearm to be used by untrained individuals.

NEVER rely on a gun's "safety" to protect you from unsafe gun handling. A safety is only a mechanical device, not a substitute for using common sense and following gun safety procedures.

NEVER leave a gun unattended or where it could fall.

Store guns and powder separately and **beyond the reach of children**. Make sure that they are properly secured so untrained individuals and children will be denied access to your guns and ammunition.

Test your gun's operation and safeties only at a shooting range while the firearm is pointed in a safe direction.

Know your target and what is beyond. Ask yourself what your projectile will hit if it misses the target or passes through the intended target. Remember, a fired projectile can travel over a mile (including a ricochet) and is capable of going through walls. Never shoot at hard flat surfaces or water...bullets ricochet.

Guns and alcohol or drugs do not mix. Don't take any alcoholic beverages and/or drugs before or during shooting activities.

NEVER pull a gun toward you by the muzzle. Don't climb a tree, cross a ditch or fence with a loaded gun.

ALWAYS empty guns before entering a house, car, truck, boat, RV, camp or any building.

When receiving a gun, always open the action and check to make sure the chamber is unloaded.

FOLLOWING THESE SAFETY RULES CAN SAVE YOUR LIFE OR THE LIFE OF SOMEONE ELSE

NEVER accept anyone's word that a gun is "unloaded" or "empty." You should immediately open the action and check to make sure it is unloaded.

When purchasing accessories such as leather or when adding accessories such as grips or sights, be sure they are compatible with the firearm and do not interfere with safe operation.

Keep firearms unloaded when not actually in use. Load the gun only when on the range preparing to fire and unload it before leaving the range.

NEVER put your hand over the muzzle of a gun.

ALWAYS WEAR protective shooting glasses and hearing protection when using firearms.

Spectators should be at least 5 ft behind and away from the shooter while the shooter is loading, shooting and unloading.

Spectators should wear eye and ear protection and avoid distracting those shooting their firearms.

NEVER drop your gun. If you do drop it, unload it and check it for proper function before using it again.

DO NOT alter or modify your gun. Don't try to change your gun's trigger pull, because it may affect sear engagement and thereby cause accidental firing.

DO NOT remove any internal safety or safety device on the firearm. Safety mechanisms are designed to help protect you from personal injury or death.

Properly maintain and keep your gun clean. Keep it in a dry place away from other metals and water. If your gun shows sign of corrosion or improper operation, have it serviced by a competent gunsmith.

Keep the muzzle pointed in a safe direction when loading and unloading your gun.

NEVER point the muzzle at anyone.

If a gun fails to fire when the trigger is pulled, keep it pointed down range at the target for 60 seconds. Sometimes slow primer ignition will cause a “hang fire” and the powder will go off after a short pause. If it still fails to fire, keep the muzzle pointed in a safe direction and avoid exposure to the breech, as you attempt to unload your firearm.

NEVER let water, snow, mud or other material enter the barrel. Always be sure the barrel is free of any obstruction.

Use the correct ammunition for your firearm. (See Ammunition Warning).

Teach children: 1. NOT to touch guns, bullets, cartridges, shells, flares or any explosive device and **2.** That if they discover such a dangerous item or weapon, they must immediately report its location to their parents, school teacher or police.

Remember a firearm has the capability of taking your life or the life of someone else. Be careful with your firearm - an accident is almost always the result of not following basic safety rules.

USED FIREARMS - Firearms are sometimes altered to work incorrectly, or parts may be removed, lost or replaced with incorrect parts. If you got your firearm as a used gun, **BEFORE USING IT** you should take it to a good gunsmith who knows DAVIDE PEDERSOLI firearms, and have him examine it.

If you are carrying a loaded gun in the field, never follow a companion.

NEVER cross obstacles such as fences or streams with a loaded gun.

NEVER run with a loaded gun.

DO NOT smoke while handling, loading or shooting black powder, black powder substitutes or any other powder. Keep black powder in a closed container at all times, make sure you close it after each use.



WARNING: NEVER PLACE OR PERMIT THE HAMMER TO REMAIN IN THE HALF-COCK NOTCH WHILE THERE IS A PERCUSSION CAP ON THE NIPPLE, AS THIS IS NOT A SAFE CARRYING POSITION. THE HAMMER, IN THIS POSITION COULD FALL FORWARD AND DISCHARGE THE GUN, CAUSING INJURY, DEATH, OR PROPERTY DAMAGE.



POTENTIAL OBSTRUCTIONS

BEFORE LOADING or firing a rifle, examine the bore and the firing chamber to be certain they are clean and free of any obstruction. Even a heavy coat of oil, grease, snow or water may result in damage to the firearm and injury to the shooter and/or persons near the firearm. A misfire or unusual sound upon firing is a signal to cease firing and to examine the chamber and bore. If there is any obstruction, clear the obstruction and clean the bore and chamber before firing. Any bore obstruction, even if it is only partly blocked, may cause the gun to blow up if it is fired, or may cause damage to the gun such as a bulged barrel. To avoid injury or death to the shooter or bystanders, check the barrels before shooting or if a shot does not sound normal.



Always keep the muzzle pointed in a safe direction! Never attempt to load or unload any firearm inside a vehicle, building or other confined space (except a properly constructed shooting range). Enclosed areas frequently offer no completely safe direction in which to point the firearm. If an accidental discharge occurs, there is great risk of death, personal injury or property damage. Before loading, always clean all, grease and oil from the bores and chambers, and check to be certain that no obstructions are in the barrel. Any foreign matter in the barrels could result in a bulged or burst barrel or other damage to the firearm and could cause serious injury to the shooter or to others.



If there is any reason to suspect that a projectile is obstructing the barrel, immediately unload the firearm (See Unloading Instructions) and check the chamber and the bore. A projectile or some other matter may be lodged some distance down the barrel where it can not easily be seen. Check the bore by using a cleaning rod to pass through the barrel. If a blockage is in the bore, **DO NOT ATTEMPT TO SHOOT IT OUT BY ADDING MORE BLACK POWDER OR ANY OTHER KIND OF POWDER, OR BLOW IT OUT WITH A BLANK CARTRIDGE. SUCH TECHNIQUE(S) CAN GENERATE EXCESSIVE PRESSURE, DAMAGE THE FIREARM AND CAUSE SERIOUS PERSONAL INJURY.** If the blockage can be removed with a cleaning rod, clean any unburned powder grains from the bore, chambers and mechanism before resuming shooting. If the blockage can not be dislodged by tapping it with a cleaning rod, take the firearm to a gunsmith.



EYE AND EAR PROTECTION

When shooting, full eye and ear protection is mandatory at all times. Shooters and spectators must wear shooting glasses and hearing protection to prevent eye injury and hearing loss. Vision and hearing impairment can occur with only one moment of non-protection.

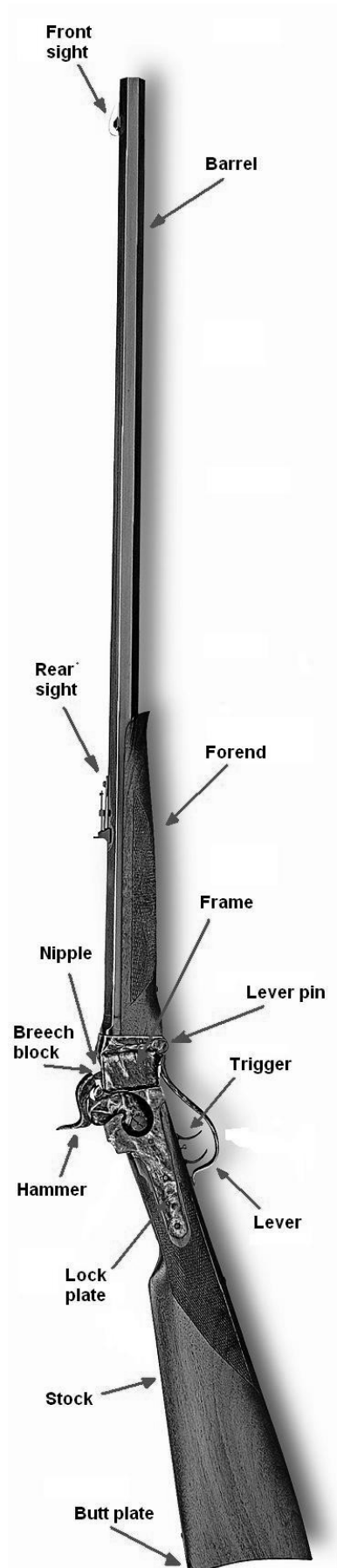


MECHANICAL MALFUNCTIONS

STOP SHOOTING IMMEDIATELY AND UNLOAD YOUR FIREARM if your firearm develops: a mechanical malfunction; binding or stoppage; spitting powder/gas; a bulged barrel or a sound on firing does not sound quite right. Do **NOT** try one more shot but unload your firearm and take it and the ammunition to a qualified gunsmith for examination

Do not assume that the rifle is empty merely because you checked the chamber. You must also check the bore for any obstruction inside the barrel.

BASIC PARTS OF A PERCUSSION SHARPS



IMPORTANT NOTES ABOUT HISTORICAL FIREARM DESIGN

Davide Pedersoli manufactures replicas of famous historical firearms. All Davide Pedersoli firearms are manufactured using leading edge technology and high quality modern materials. The firearms are faithful reproductions of firearms originally designed in the nineteenth century; if you choose to own or use a reproduction of a historical firearm you should be aware that Davide Pedersoli manufactures these guns not as state of the art firearms, but as reproductions for collectors. It is vital that the user be familiar with his firearm and possible safety risks that may be present in the design. Most significantly, the user should realize that the designs of safeties - or even the presence of adequate safeties - vary significantly on historical designs and do not offer the protection against accidental discharge that modern firearms safeties offer. Similarly, any firearm that is designed to be fired using black powder or a black powder substitute has risks not found in modern cartridge firearms. Black powder is a dangerous explosive and has to be used and handled with extreme caution. The slightest miscalculation or carelessness with a black powder firearm can result in serious injuries to the user

BEFORE YOU USE YOUR GUN FOR THE FIRST TIME

 **WARNING: ALWAYS MAKE SURE THE FIREARM IS UNLOADED AND POINTED IN A SAFE DIRECTION.**

- Using a quality gun solvent, remove all excess factory lubricant.
- For Sharps models, field stripping the firearm will facilitate this process (see “FIELD STRIPPING” in this booklet).
- Lubricate all moving contact points with a good quality gun lubricant
- Thoroughly clean the bore, and remove all excess solvent with clean, dry patches replacing them as often as necessary until they come out clean and dry.
- A slight film of gun oil should be left in the barrel during long periods of storage, however, the cleaning procedure **must** be repeated before shooting the firearm.
- **The barrel must always be clean and dry before shooting.**

AMMUNITION

 **WARNING: USE ONLY GOOD QUALITY BLACK POWDER OR BLACK POWDER SUBSTITUTE IN THIS FIREARM.**

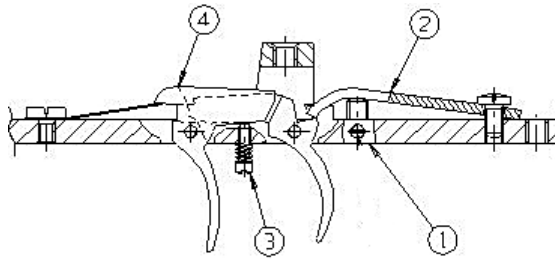
1. Your firearm is built for “Black powder Only “: **USE ONLY GOOD QUALITY COMMERCIAL BLACK POWDER or A GOOD QUALITY COMMERCIAL BLACK POWDER SUBSTITUTE.**
2. Your gun has been designed for **LEAD BULLETS** of a specific gauge or caliber, do not alter the barrel, chamber, caliber or gauge for which your gun was designed.
3. Use only **LEAD BULLETS** and **BLACK POWDER** specifically recommended for your firearm.

Davide Pedersoli rifles are stronger than their original versions due in part to improved steels as well as changes made to strengthen the original design and to add safety features. However you must always follow the safety rules, including the use of correct charges and their maximum developed pressure.

All Davide Pedersoli rifles are manufactured in Italy and, according to Italian Law, are proof tested at the National Firing Proof House according to the rules imposed by C.I.P. (International Proof Commission). Proper marks of the tests are stamped both on the barrel and the receiver of the rifle.

DOUBLE SET TRIGGER

Your rifle may come with a double set trigger.



Picture 1: DOUBLE SET TRIGGER

⚠ WARNING: THE TRIGGER PULL MUST NEVER BE SET TO LESS THAN 3 LBS

HOW TO “SET” DOUBLE SET TRIGGERS

The FRONT trigger is the firing trigger, it can fire both as a normal trigger or as a “double set trigger”; the REAR trigger is the “set” trigger. You ‘set’ the trigger by pulling the rear trigger until it clicks. At this point you can release the fully cocked hammer by applying a light pressure to the ‘firing’ (front) trigger.

⚠ WARNING: AN IMPROPERLY ADJUSTED SET TRIGGER MAY RELEASE THE FULLY COCKED HAMMER DUE TO A STRONG IMPACT TO THE MECHANISM. PROPERLY ADJUSTED SET TRIGGERS WILL NOT RELEASE THE COCKED HAMMER WITHOUT PULLING THE FIRING TRIGGER. READ CAREFULLY THE INSTRUCTIONS BELOW ON HOW TO PROPERLY MAKE TRIGGER ADJUSTMENTS.

⚠ WARNING: MAKE CERTAIN THE GUN IS UNLOADED BEFORE MAKING ANY ADJUSTMENTS.

REAR TRIGGER ADJUSTMENT.

Point your firearm in a safe direction, make sure it is unloaded and put the hammer in the half cock position.

1. Screw #1 controls the tension on the main spring (#2). See picture 1.
2. Turn screw #1 in a clockwise direction until the hammer stays cocked when it is pulled to fully cocked position.
NOTE: If screw #1 is set inwards (clockwise) too far, the hammer will not fall when the front trigger is pulled.
If screw #1 is not set inwards (clockwise) enough, the hammer will not remain at full cock position unless the rear trigger is “set” (clicked) first.
3. When making adjustments on screw # 1 always move the screw in ¼ to ½ turn increments and recheck your results before making more adjustments.


⚠ WARNING: THE FRONT TRIGGER WILL RELEASE THE HAMMER EVEN IF THE REAR TRIGGER HAS NOT BEEN “SET”.

FRONT TRIGGER ADJUSTMENT.

1. The front trigger will release the hammer even if the rear trigger is not “set”
2. The front trigger adjustment screw #3 (see picture 1) changes the amount of movement, or “travel”, the front trigger needs before releasing the hammer.
3. Turn screw #3 in a clockwise (inward) direction to reduce the front trigger movement required to release the hammer.

4. Turn screw #3 in a counterclockwise (outwards) direction to increase the required front trigger movement required to release the hammer.
NOTE. If screw #3 is turned inwards too far, it will not “hold” the setting against the rear trigger sear notch (#4).
5. Proper adjustment should produce a very small trigger movement with light pressure required. Such a setting helps a good shooter to obtain better accuracy.


Adjustment screws should be checked periodically to verify they are not loose due to shot vibrations.

 **WARNING:** AFTER YOU ADJUST THE SET TRIGGER, AND BEFORE YOU SHOOT YOUR FIREARM, YOU **MUST** MAKE THE FOLLOWING SAFETY TESTS:


TRIGGER SAFETY TEST SET

1. Make certain the gun is **UNLOADED**, without any bullet and powder in the chamber and no cap on the nipple and pointed in a safe direction.
2. Place the hammer in the half-cock position and cover the nipple with a piece of leather so the hammer will have something to strike against and will not ruin the nipple.
3. Full cock the hammer, then set the trigger as explained above.
4. Close the breech lever at least 10 times. Use more force than normal.
5. The hammer must not fall during th breech closing.
6. Now, with the gun pointing upwards, knock the butt sharply, several times, against a wood surface, make sure you protect the stock in a proper way. Repeat this impact test several times.
7. The hammer must not be released by these strong impacts. If the hammer remains in full cocked position, your trigger setting is normal and safe.
8. If the hammer does fall during this impact test, you must change the adjustment of the front, rear or both triggers in order to obtain a proper safe setting.

CAUTION: If you allow others to shoot your rifle, we suggest letting them try the set triggers before allowing live ammunition to be fired. The light trigger pressure can be a surprise to many shooters who have not had previous experience with a set trigger system. The hammer does not have to be cocked to allow this trigger practice. Just “set” the rear trigger and allow the new shooter to experience the light trigger pull.

 **WARNING:** NEVER TAMPER WITH THE TRIGGER PULL ADJUSTMENT MECHANISM IN ORDER TO ALTER THE MINIMUM SETTINGS OF THIS OR ANY OTHER FIREARM’S TRIGGER PULL NEVER ATTEMPT IN ANY WAY TO MODIFY OR ALTER THE SEAR ENGAGEMENT OR ANY OTHER TRIGGER ASSEMBLY COMPONENT.

BLACK POWDER

 **WARNING:** NEVER USE SMOKELESS POWDER OR A MIXTURE OF SMOKELESS AND BLACK POWDER (DUPLEX LOADS) OR THE WRONG TYPE OF GRANULATION OF BLACK POWDER OR BLACK POWDER SUBSTITUTE IN YOUR “BLACK POWDER ONLY” FIREARM AS IT MAY CAUSE SERIOUS INJURY AND/OR DEATH TO THE SHOOTER OR PEOPLE AROUND YOU.

MUZZLE LOADING FIREARMS, EVEN MODERN REPLICAS, ARE NOT DESIGNED TO WITHSTAND THE HIGH PRESSURES PRODUCED BY SMOKELESS POWDER.

Black Powder grain size determines the burn rate; manufacturers classify black powder by grain size, below is a chart of the most popular brands in the USA and how they compare to each other.

	BLACK POWDER “SWISS”	BLACK POWDER “GOEX”	B.P. SUBSTITUTE “PIRODEX”
Big caliber guns Small caliber cannons	4	Fg	RS

.45 caliber and larger caliber rifle	3	FFg	RS
Revolver , Pistol Rifles up to .45 caliber	2	FFFg	P
Pistol up to .31 caliber / flintlock guns pans	1	FFFFg	

 **WARNING: NEVER STORE PERCUSSION CAPS OF BLACK POWDER IN A PLASTIC CONTAINER WHICH COULD BUILD A STATIC ELECTRICITY CHARGE.**

 **WARNING: NEVER STORE PERCUSSION CAPS TOGETHER WITH BLACK POWDER OR ANY OTHER POWDER.**

1. **NEVER SMOKE WHILE LOADING, SHOOTING OR HANDLING BLACK POWDER.**
2. Never let the hammer on a percussion firearm fall without a cap on the nipple as it will damage the nipple. On a flintlock gun, never let the hammer fall on the frizzen without a flint in the hammer
3. **BLACK POWDER LEAVES HEAVY RESIDUE** that is highly “ hygroscopic” (attracts water) and will rust your gun if not promptly cleaned
4. Use only non-synthetic cloth patches to clean your gun after firing Black Powder.
5. Always wear eye and ear protection when shooting a firearm
6. Never pour powder into the bore directly from a powder flask or container; a sudden powder ignition from a lingering spark could cause the entire flask to explode. **Always** use a powder measure to deliver an **individual charge** into your muzzle loading gun.
7. **TREAT A MISFIRE FOR FAILURE WITH EXTREME CARE.** Keep the gun pointed to a safe direction and wait for at least one full minute before repriming; there is always the chance a spark could be smoldering in the powder and the gun could fire at any moment.
8. **DO NOT ATTEMPT TO SHOOT A BULLET UNLESS IT IS FIRMLY SEATED AGAINST THE BLACK POWDER CHARGE.** Any empty space between the bullet and/or wad and the black powder charge could cause serious damage to the firearm and injury to the shooter or those around him.
9. If powder fouling or other circumstances should cause the projectile to become lodged in the bore, partially down the barrel, the ball must be removed with a screw tip style bullet-puller of the proper caliber.
10. Before you start loading, make always sure that the gun is not already loaded. We suggest you insert your loading rod into the empty barrel and make a mark at muzzle level. This is your “empty” or “Unloaded” line. Insert the rod again after loading your rifle and make another mark at muzzle level. This is your “loaded” line.

 **WARNING: WATER RENDERS BLACK POWDER ONLY TEMPORARILY INERT, ONCE THE BLACK POWDER DRIES OUT IT BECOMES AN EXPLOSIVE AGAIN.**

LOADING AND UNLOADING YOUR PERCUSSION SHARPS RIFLE

⚠ WARNING: NEVER LOAD OR UNLOAD THIS FIREARM WITH THE HAMMER FULLY COCKED, ALWAYS PUT THE HAMMER AT HALF-COCK. NEVER LOAD THE RIFLE UNTIL YOU ARE READY TO SHOOT SAFELY.

- **ALWAYS** point the muzzle downrange in a safe direction BEFORE attempting to load and fire the rifle.
- **ALWAYS** put the hammer into the half-cock position (first click when pulling the hammer backward) before loading and after firing your rifle (see picture 2).
- Do not load the rifle until you are ready to shoot safely.
- Before you load the rifle after having cleaned it, you must insure the nipple and vent are clean and clear of oil. To do this point the gun in a safe direction, place a cap on the nipple, set the hammer to full cock and fire. This operation will dry out any oil remaining in the nipple channel.



Picture 2

LOADING YOUR SHARPS PERCUSSION RIFLE

⚠ WARNING: USE ONLY BLACK POWDER OR BLACK POWDER SUBSTITUTES IN THIS FIREARM.

There are three ways to load your Sharps percussion rifle: the first one uses lead bullets and loose black powder, the second uses paper cartridges and the third uses reloadable brass shells.

FIRST SYSTEM: LEAD BULLET AND LOOSE BLACK POWDER

1. Before loading your Sharps rifle check the barrel for possible obstructions. To do this, first place the hammer in the half-cock position
2. Extend the lever downward, fully opening the breech (see picture 3).
3. Look into the chamber to make sure there are no obstructions in the barrel (see picture 4).
4. The nipple channel may have oil residue; you should clean it out before loading. To do so close the breech and, with the gun pointed in a safe direction, place a cap on the nipple, set the hammer to full cock and pull the trigger. This operation will dry out any oil in the nipple channel.
5. Extend the lever down to open the breech
6. Insert one bullet of proper caliber into the chamber and push it until it is firmly seated against the front of the chamber.
7. Fill the chamber with black powder (or black powder substitute) using a powder measure (see picture 5).
8. The chamber should hold 50 to 60 grains of FFg black powder in .45 caliber, and 60 to 80 grains of FFg black powder in .54 caliber. Actual powder capacity depends on bullet type.
9. Make sure that the chamber is completely filled with powder to avoid any empty space between powder and bullet.
10. With the barrel pointed straight down, tap the rifle a few times to allow the powder to settle in the chamber.
11. With the barrel still pointed down, carefully close the breech and clean off all remains of powder from the breech.



Picture 3



Picture 4



Picture 5

⚠ WARNING: MAXIMUM LOADS SHOULD NOT EXCEED **60** GRAINS OF **FFG** BLACK POWDER IN **.45** CALIBER AND **80** GRAINS OF **FFG** BLACK POWDER IN **.54** CALIBER

⚠ WARNING: NO EMPTY SPACE SHOULD BE LEFT BETWEEN POWDER AND BULLET.

SECOND SYSTEM: PAPER CARTRIDGE

1. Before loading your Sharps rifle check the barrel for possible obstructions. To do this, first place the hammer in the half-cock position (see picture 2).
2. Extend the lever downward, fully opening the breech (see picture 3).
3. Look into the chamber to make sure there are no obstructions in the barrel (see picture 4).
 1. The nipple channel may have oil residue; you should clean it out before loading. To do so close the breech and, with the gun pointed in a safe direction, place a cap on the nipple, set the hammer to full cock and fire. This operation will dry out any oil in the nipple channel.
4. Extend the lever downward to open the breech. Carefully insert a paper cartridge into the chamber (see picture 6).
5. Close the breech block. Closing the breech block will cut the end of the paper cartridge, thus exposing the Black Powder to the primer. Clean off all remains of powder from the breech.



Picture 6

NOTE: To learn how to make paper cartridges for your rifle please consult a black powder manual or go to Pedersoli's website: www.davide-pedersoli.com

THIRD SYSTEM: BRASS CASES

1. Before loading your Sharps rifle check the barrel for possible obstructions. To do this, first place the hammer in the half-cock position (see picture 2).
2. Extend the lever downward, fully opening the breech (see picture 3).
3. Look into the chamber to make sure there are no obstructions in the barrel (see picture 4).
4. Oil may have entered the nipple channel while cleaning your firearm; you should clean it out before loading. To do so close the breech and, with the gun pointed in a safe direction, place a cap on the nipple, set the hammer to full cock and fire. This operation will dry out any oil in the nipple channel.
5. Extend the lever downward to open the breech. Carefully insert a loaded brass case into the chamber (see picture 7).
6. Close the breech block.



Picture 7

UNLOADING YOUR SHARPS PERCUSSION RIFLE

If you have to unload your rifle you will need a bucket with water.

1. With the barrel pointed in a safe direction, place hammer in the half-cock position (see picture 2).
2. Carefully remove the primer cap from the nipple.
3. After the cap has been removed, point the muzzle toward the ground. Tap the rifle a few times to settle the powder towards the front of the chamber. This will allow you to open the breech without spilling powder into the gas seal.
4. With the barrel still pointing down open the breech by extending the lever downward (see picture 3).
5. Turn the rifle upside down so the powder flows out, away from the forend and the top of the breech and into the bucket with water. Avoid spilling powder on the ground. Do not allow powder to trickle down into the bottom of the breech or the forend. Disassembling and clean the breech block and the forend.
6. Insert a wood dowel or ramrod into the barrel from the muzzle and push the bullet out of the chamber.

7. Disassemble and clean the breech block and the forend. Clean and inspect the vent and nipple before reloading.

FIRING YOUR SHARPS PERCUSSION RIFLE

1. Load your rifle as previously instructed in this manual.
2. With the barrel pointed safely downrange, place the hammer in the half cock position (see picture 2).
3. Carefully place a musket cap on the nipple (see picture 8).




Picture 8

4. Fully cock the hammer. With the rifle pointed at your target, slowly pull the trigger and your rifle will fire (see picture 9).



Picture 9

MISFIRE

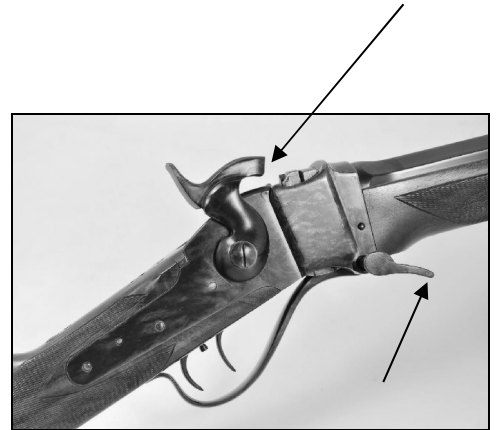
 WARNING: IF YOUR GUN DOES NOT FIRE AFTER YOU PULL THE TRIGGER, KEEP THE GUN POINTED IN A SAFE DIRECTION AND WAIT **60 SECONDS.**

1. In case of a misfire (gun not firing after pulling the trigger), keep the gun pointed in a safe direction for 60 seconds.
2. Put the hammer in the half-cock position and remove percussion cap from nipple.
3. Carefully place a new musket cap on the nipple.
4. Fire again.
5. If the gun still doesn't fire, wait 60 seconds, remove the percussion cap and unload the guns as per instructions in this manual.

DISASSEMBLY AND RE-ASSEMBLY OF YOUR RIFLE

FIELD STRIPPING YOUR SHARPS RIFLE

1. Place the hammer in the half-cock position (see picture 2).
2. Extend the lever downward, fully opening the breech (see picture 4).
3. Push plunger pin located on the right side of the frame (see picture 10).
4. While pushing in on the plunger pin, rotate the arm of the lever hinge pin forward past the plunger pin, approximately 180 degrees from its original position (see picture 10).
5. Remove the lever hinge pin from the mounting hole by pulling it straight out.
6. After the lever hinge pin has been removed, slide the lever and the breech block out of the frame (see picture 11).
7. You have now field stripped the rifle.
8. Reverse the above procedure for reassembly.



Picture 10



Picture 11

! **WARNING:** DO NOT DISASSEMBLE FURTHER. FURTHER DISASSEMBLY SHOULD ONLY BE ATTEMPTED BY A COMPETENT GUNSMITH

CLEANING YOUR SHARPS PERCUSSION RIFLE

! **WARNING:** YOU MUST CLEAN YOUR BLACK POWDER FIREARM IMMEDIATELY AFTER SHOOTING TO AVOID RUST AND CORROSION

1. Disassemble your rifle as instructed in this manual. See “**F**IELD **S**TRIPPING”.
2. Clean the breech, barrel, chamber and all external parts with a good quality black powder solvent and non-synthetic cloth patches.
3. Remove gas seal plate (see part #43 in picture 13) from breech block (see picture 12).

CAUTION: Make sure you do not lose the three O-Rings fitted there (see part Z in picture 13)



Picture 12

4. Clean the breech block and the gas check plate with a good quality black powder solvent and non-synthetic cloth patches
5. Lightly oil the barrel, breech, breech block and all external parts with good quality gun oil.
6. Put a thin coat of grease on the gas check plate (see part #43 in picture 13)
7. To reassemble reverse these steps.

SHARPS PERCUSSION RIFLES WITH CHAMBER SLEEVE

Some Sharps percussion rifles have a chamber sleeve to aid in sealing the chamber when firing the rifle. See picture 13. If your rifle has this chamber sleeve you must clean it every time you clean your rifle.



Picture 13

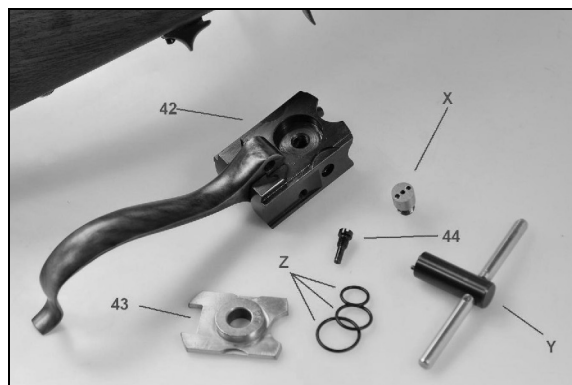
⚠ WARNING: YOU MUST CLEAN THE CHAMBER SLEEVE REGULARLY, FAILURE TO DO SO WILL CAUSE RESIDUE TO ACCUMULATE, THE CHAMBER WILL NOT SEAL PROPERLY AND HOT GASSES WILL ESCAPE WHEN FIRING THE RIFLE DAMAGING THE RIFLE AND/OR INJURING THE SHOOTER OR THOSE AROUND HIM.

⚠ WARNING: DO NOT ATTEMPT TO REMOVE THE CHAMBER SLEEVE, THIS SHOULD ONLY BE DONE BY A QUALIFIED GUNSMITH.

1. To clean the chamber sleeve fieldstrip your rifle as explained before.
2. Proceed to clean the rifle as explained before using a good quality black powder solvent and non-synthetic cloth patches.
3. Clean the chamber sleeve by pushing it forward and backwards and rotating it while cleaning it with the solvent and non-synthetic cloth patches.
4. Oil and reassemble as explained before

SHARPS PERCUSSION RIFLES WITH REPLACEABLE IGNITION VENT HOLE

The breech block of the Sharps Percussion Rifles now comes with a replaceable ignition vent hole (see part X in picture 13) and the proper wrench to disassemble it (see Y in picture 14).



Picture 14

⚠ WARNING: DO NOT ATTEMPT TO REMOVE OR REPLACE THE IGNITION VENT HOLE UNIT, THIS SHOULD ONLY BE DONE BY A QUALIFIED GUNSMITH THAT KNOWS PEDERSOLI FIREARMS.

TO CLEAN YOUR RIFLE

5. Point your firearm in a safe direction and put the hammer in the half cock position.
6. Open the action as instructed above.
7. **If shooting modern rounds (smokeless powder).** Use a good quality gun cleaning solvent to clean the inside of the receiver, chamber, barrel and block.
8. Oil sparingly all moving parts and close breech block.
9. Oil sparingly all surfaces of the rifle.
10. **If shooting black powder cartridges.** Black powder residue is highly hygroscopic (attracts moisture) and will rust your gun if not properly cleaned and oiled after shooting.
11. Use a good quality Black Powder Cleaning Solution to clean the inside of the receiver, chamber, barrel and block. Use only non-synthetic cloth patches.
12. Oil sparingly all parts and reassemble.
13. Oil sparingly all surfaces of the rifle.

ORDINARY AND EXTRAORDINARY MAINTENANCE

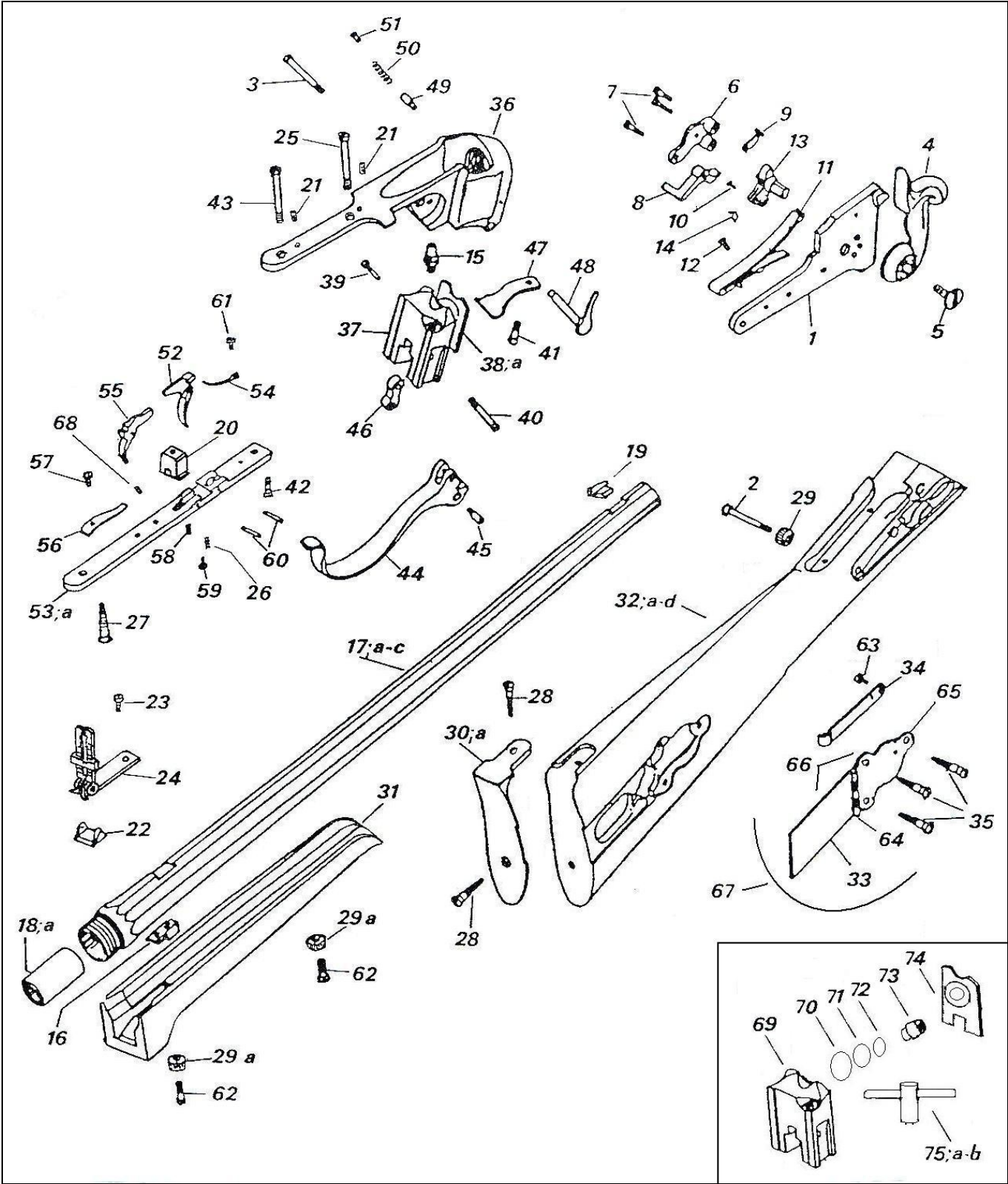
- Before attempting any kind of maintenance verify that the gun is unloaded and pointed in a safe direction.
- **Ordinary maintenance** means all the steps the owner should follow to keep the gun in good service before and after shooting.
- **Extraordinary maintenance** implies the change of broken or worn parts and disassembling the gun. Only authorized personnel or qualified gunsmiths should disassemble the gun or attempt to repair it.
- Avoid excessive oil.
- Check that the mechanism of the firearm is smooth; if you notice the mechanism getting hard you should take your gun to a qualified gunsmith .
- Don't use pure silicone or lanoline.
- Always inspect your gun and take it to a qualified gunsmith for inspection, after long periods of storage.
- If you need to order parts you must indicate purchase date, serial number, the exact model and the caliber of your gun and the item ref. of the part you need.
- If you have any doubt about a problem with your gun, DON'T USE IT, have it inspected by a qualified gunsmith.
- Improper use or actions may cause serious injury and/or death to yourself and/or any bystanders.
- **Always use this, and any firearm, with care and respect to avoid any incident or event that may cause injury to you or others.**

MALFUNCTIONS

The proper function of your firearm is directly related to care and maintenance and to the ammunition used. Your firearm has been designed to function with high quality ammunition produced to commercial standards. Some of the more common types of malfunctions which may occur are as follows:

- **MISFIRE:** a failure of the cartridge to ignite when the hammer falls.
CAUTION: if this occurs, keep the firearm pointed in a safe direction, wait 60 seconds, remove the cartridge from the chamber and dispose of it properly. **Do not re-utilize unexploded ammunitions.**
CAUSE: The most common cause of misfire is faulty ammunition.
- **FAILURE TO EXTRACT OR EJECT:** a fired case is not fully extracted from the chamber or ejected from the gun.
CAUTION: If this occurs, keep the firearm pointed in a safe direction; clear the gun by opening the action and removing any cartridge or cartridge case manually. Check the unloading procedures in this manual.
CAUSE: The most common causes are black powder fouling or black powder and oil residues in the chamber or on the extractor slides, improperly loaded or sized cartridges. If any of the above problems cannot be corrected by cleaning the mechanism or by the use of another brand of ammunition, the firearm should be sent, unloaded, to a qualified gunsmith with a full description of the problem. Do not attempt to make repairs or modifications since these should only be done by a qualified gunsmith

EXPLODED VIEW SPORTING MODEL

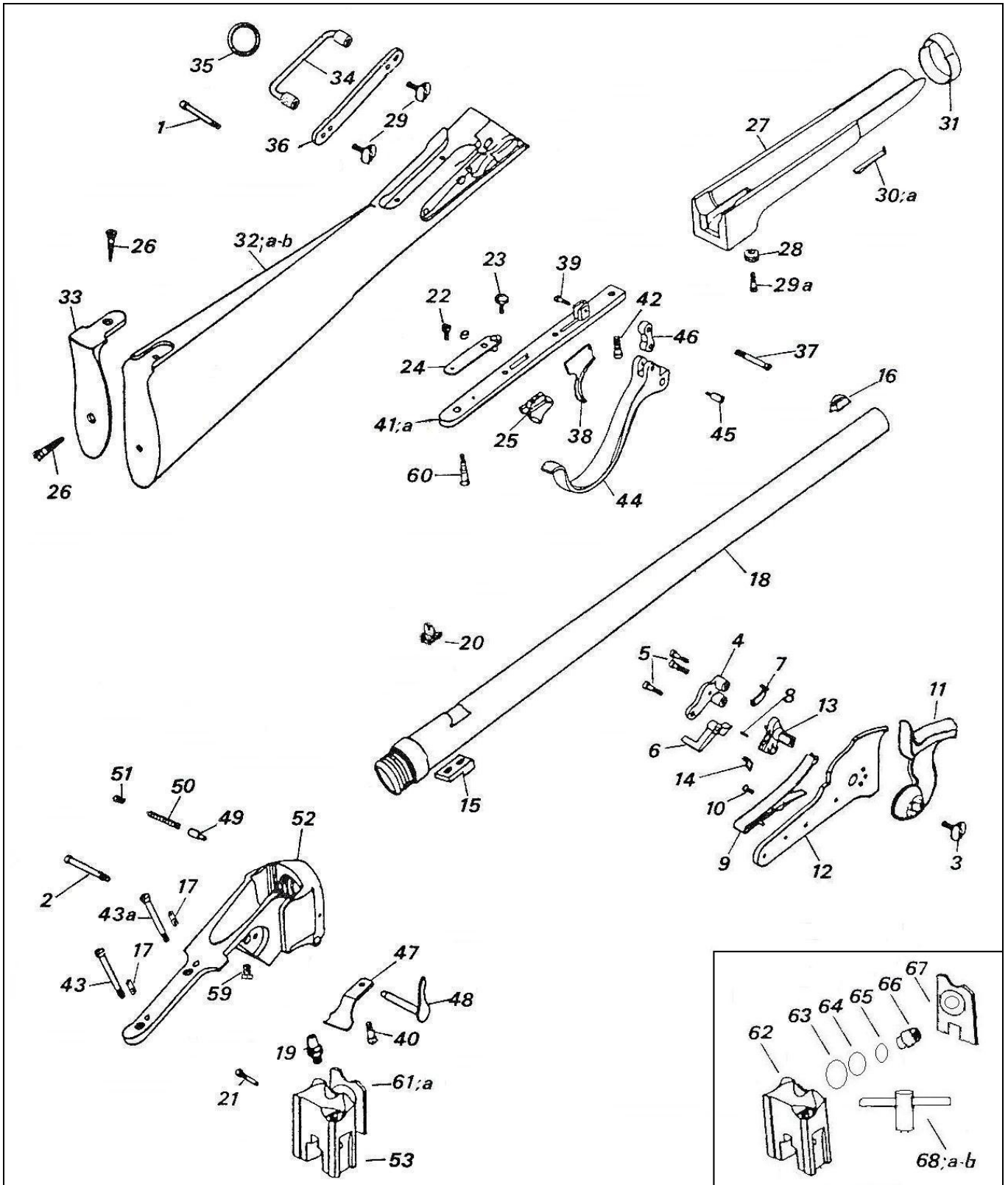


Nomenclatura / List			
No.	Italiano	English	Codice Reference
1	Cartella	Lock plate	0800000224
2	Vite posteriore cartella	Rear lock plate screw	M70AFM0225
3	Vite anteriore cartella	Front lock plate screw	M70AFM0226
4	Cane	Hammer	0800000227
5	Vite cane	Hammer screw	M70AFC0228
6	Braghetta	Bridle	0800000230
7	Vite braghetta	Bridle screw	M70AFM0231
8	Leva scatto	Sear	0800000232
9	Tirantino	Stirrup	0800000233
10	Vite tirantino	Stirrup screw	M70AFM0234
11	Molla cane	Mainspring	0800000260
12	Vite molla cane	Mainspring screw	M70AFM0236
13	Noce	Tumbler	0800001182
14	Farfallina	Fly	0800001205
15	Luminello	Nipple	0800000185
16	Supporto molla elevatore	Barrel stud	0800000210
17	Canna cal. .54	Barrel .54 cal.	0800001168
17a	Canna cal. .451	Barrel .451 cal.	0800001167
17b	Canna completa cal. .54	Barrel .54 cal. with spares	080001168B
17c	Canna completa cal. .451	Barrel .451 cal. with spares	080001167B
18	Camerina flottante	Sleeve	0800001145
18a	Camerina flottante cal. .54	Sleeve .54 cal.	0800001169
19	Mirino	Front sight	0800001171
20	Zocchetto sottoguardia	Trigger plate plaque	0800005338
21	Grano chiusura fori diottra	Screw for diopter mounting hole	M70AST0190
22	Supporto alzo	Rear sight base	USA 419
23	Vite base alzo	Rear sight screw	
24	Alzo completo	Rear sight, assembled	
25	Vite anteriore codettone	Front tang screw	M70AFM0213
26	Molla vite regolazione stecher	Set trigger adjusting screw spring	0800003766
27	Vite posteriore sottoguardia	Rear tang screw	M70LFM5324
28	Vite calciolo	Butt plate screw	M70LFM5324
29	Ghiera vite cartella	Lock plate screw bush	0800000220
29a	Ghiera vite astina	Forend screw bush	0800000220
30	Calciolo (versione con tabacchiera)	Butt plate (patch-box version)	0800000247
30a	Calciolo	Butt plate	0800000247
31	Astina	Forend	0800001227
32	Calcio (versione con tabacchiera)	Stock (patch-box version)	0800001220
32a	Calcio	Stock	0800001568
32b	Calcio finito (versione con tabacchiera)	Stock finished (patch-box version)	080001220A
32c	Calcio finito	Stock finished	080001568A
32d	Calcio completo (versione con tabacchiera)	Stock with spares (patch-box version)	080001220B
32e	Calcio completo	Stock with spares	080001568B
33	Sportello tabacchiera	Patch-box	0800001573
34	Molla tabacchiera	Patch-box spring	0800001570
35	Vite tabacchiera	Patch-box screw	M70LFC5392
36	Bascula	Frame	0800000255
37	Blocco elevatore	Breech block	0800000181
38	Piastra tagliabossolo	Gas seal	0800000182
38a	Distanziale piastrina tagliabossolo	Gas seal plate washer	0800000271
39	Vite focone	Vent screw	M70APC0183
40	Vite superiore ginocchiera	Upper toggle link screw	M70AFM0184
41	Vite molla leva armamento	Lever catch spring screw	M70AFC0196
42	Vite anteriore sottoguardia	Front trigger plate screw	M70AFC0194
43	Vite posteriore codettone	Rear tang screw	M70AFM0197
44	Leva armamento cal. .54	Lever .54 cal.	0800000208
44a	Leva armamento cal. .451	Lever .451 cal.	0800000269
45	Vite inferiore ginocchiera	Lower toggle link screw	M70AFM0199
46	Ginocchiera	Toggle	0800000200

Nomenclatura / List			
No.	Italiano	English	Codice Reference
47	Molla leva armamento	Lever spring	0800000201

48	Perno leva armamento	Lever pin	0800000214
49	Perno arresto leva	Lever plunger pin	M70APC0204
50	Molla arresto leva	Lever plunger pin spring	0800000205
51	Vite fermo molla arresto	Lever plunger pin spring screw	M70AFC0206
52	Grilletto anteriore	Front trigger	0800001142
53	Sottoguardia	Trigger plate	0800001143
53a	Sottoguardia completo	Trigger plate, assembled	080G001143
54	Molla grilletto anteriore	Front trigger spring	0800001144
55	Grilletto posteriore	Rear trigger	0800001146
56	Molla stecher	Set trigger spring	0800001147
57	Vite molla stecher	Set trigger spring screw	M70AFC1148
58	Grano regolazione molla stecher	Set trigger spring adjusting screw	M70AST1149
59	Vite regolazione scatto	Set trigger adjusting screw	M70AFC1150
60	Copiglia grilletto	Trigger pin	M70COP1152
61	Vite molla grilletto anteriore	Front trigger spring screw	M70AFC0191
62	Vite astina	Forend screw	M70AFC0221
63	Vite molla tabacchiera	Patch-box spring screw	M70AFC1212
64	Spina tabacchiera	Patch-box pins	M70COP5772
65	Supporto tabacchiera	Patch-box block	0800001569
66	Corpo tabacchiera	Patch-box	080G001569
67	Tabacchiera completa	Patch-box assembly	080G001572
68	Grano bloccaggio laterale	Side screw	M700ST5563
69	Blocco elevatore per sistema a focone rimovibile	Breech block for removable touch hole system	0800000281
70	Anello OR grande per sistema a focone rimovibile	Large O ring for the new system	0800000287
71	Anello OR medio per sistema a focone rimovibile	Medium O ring for the new system	0800000286
72	Anello OR piccolo per sistema a focone rimovibile	Small O ring for the new system	0800000285
73	Focone per sistema a focone rimovibile	Touch hole for the removable system	0800000282
74	Piastra tagliabossolo per sistema a focone rimovibile	Seal plate for the new removable system	0800000284
75	Chiave focone per sistema a focone rimovibile	Touch hole wrench for the new system	080G000283
75a	Corpo chiave focone		
75b	Impugnatura chiave focone		

CONFEDERATE CAVALRY MODEL



No.	Nomenclatura		Reference
	Italiano	English	
1	Vite posteriore cartella	Rear lock plate screw	M70AFM0225
2	Vite anteriore cartella	Front lock plate screw	M70AFM0226
3	Vite cane	Hammer screw	M70AFC0228
4	Braghetta	Bridle	0800000230
5	Vite braghetta	Bridle screw	M70AFM0231
6	Leva scatto	Sear	0800000232
7	Tirantino	Stirrup	0800000233
8	Vite tirantino	Stirrup screw	M70AFM0234
9	Molla cane	Mainspring	0800000260
10	Vite molla cane	Mainspring screw	M70AFM0236
11	Cane	Hammer	0800000227
12	Cartella	Lock plate	0800001035
13	Noce	Tumbler	0800001182
14	Farfallina	Fly	0800001205
15	Supporto molla elevatore	Barrel stud	0800000210
16	Mirino	Front sight	0800000266
17	Grano chiusura fori diottra	Screw for diopter mounting hole	M70AST0190
18	Canna	Barrel (See note)	0800000267
19	Luminello	Nipple	0800000185
20	Tacca di mira	Rear sight	0800004803
21	Vite focone	Vent screw	M70APC0183
22	Vite molla bottone sicura	Lever catch spring screw	M70AFC0192
23	Vite bottone sicura	Lever catch screw	M70AFC0191
24	Molla bottone sicura	Lever catch spring	0800000189
25	Bottone sicura	Lever catch	0800000188
26	Vite calciolo	Butt plate screw	M70LFM5324
27	Astina	Forend	0800000268
28	Ghiera vite astina	Forend screw bush	0800000220
29	Vite fissaggio cavallotto	Saddle ring bar screw	M70AFC0191
29a	Vite astina	Forend screw	M70AFC0221
30	Molla fascetta	Band spring	0800000222
30a	Spina molla fascetta	Band spring pin	M70COP5800
31	Fascetta	Band	0800000261
32	Calcio	Stock	0800000262
32a	Calcio finito	Stock finished	080000262A
32b	Calcio completo	Stock with spares	080000262B
33	Calciolo	Butt plate	0800000265
34	Cavallotto	Saddle ring bar	0800000264
35	Anello sella	Saddle ring	0800000250
36	Controcartella	Side plate	0800000263
37	Vite superiore ginocchiera	Upper toggle link screw	M70AFM0184
38	Grilletto	Trigger	0800000186
39	Vite grilletto	Trigger screw	M70AFM0187
40	Vite molla leva armamento	Lever spring screw	M70AFC0196
41	Sottoguardia	Trigger plate	0800000193
41	Sottoguardia completo	Trigger plate, assembled	0800000193B
42	Vite anteriore sottoguardia	Front trigger plate screw	M70AFC0194
43	Vite posteriore codettone	Rear tang screw	M70AFM0197
43a	Vite anteriore codettone	Front tang screw	M70AFM0212
44	Leva armamento	Lever	0800000208
45	Vite inferiore ginocchiera	Lower toggle link screw	M70AFM0199
46	Ginocchiera	Toggle	0800000200
47	Molla leva armamento	Lever spring	0800000201
48	Perno leva armamento	Lever pin	0800000214
49	Perno arresto leva	Lever plunger pin	M70APC0204
50	Molla perno arresto leva	Lever plunger pin spring	0800000205
51	Vite fermo molla	Lever plunger pin spring screw	M70AFC0206
52	Bascula	Frame	0800001014
53	Blocco elevatore	Breech block	0800000181
59	Vite rimbalzo cane	Hammer rebounding screw	M70AFC0202
60	Vite posteriore sottoguardia	Rear trigger plate screw	M70LFM5324
61	Piastrina tagliabossolo	Gas seal	0800000182
61a	Distanziale piastrina tagliabossolo	Gas seal plate washer	0800000271
62	Blocco elevatore per sistema a focone rimovibile	Breech block for removable touch hole system	0800000281
63	Anello OR grande per sistema a focone rimovibile	Large O ring for the new system	0800000287
64	Anello OR medio per sistema a focone rimovibile	Medium O ring for the new system	0800000286
65	Anello OR piccolo per sistema a focone rimovibile	Small O ring for the new system	0800000285
66	Focone per sistema a focone rimovibile	Touch hole for the removable system	0800000282
67	Piastra tagliabossolo per sistema a focone rimovibile	Seal plate for the new removable system	0800000284
68	Chiave focone per sistema a focone rimovibile		
68a	Corpo chiave focone	Touch hole wrench for the new system	
68b	Impugnatura chiave focone		080G000283

MANUFACTURER'S WARNING

This firearm was manufactured to properly perform with the original parts as designed. It is your duty to make sure any parts you buy are correctly installed and that neither replacements nor originals are altered or changed. Your gun is a complex tool with many parts that must relate correctly to other parts for safe and accurate operation. Putting a gun together wrong or with modified parts can result in a damaged gun, or personal injury or death to you or others. Always let a qualified gunsmith work on your gun or at least, check any work not performed by a gunsmith. Firearms safety is your primary concern. **THE GUN OWNER MUST ACCEPT FULL RESPONSIBILITY FOR THE CORRECT REASSEMBLY AND FUNCTIONING OF THE FIREARM AFTER ANY DISASSEMBLY OR REPLACEMENT OF PARTS.**

TO CLEAN AND MAINTAIN YOUR RIFLE:

- A) Follow procedures for unloading rifle as described previously.
- B) Follow procedures for disassembly of rifle as described previously.
- C) Materials needed to clean this rifle are: a cleaning rod, cotton bore patches, brass bore brush, black powder solvent, a small soft brush and good quality gun oil.
WARNING: Lead or lead compounds are known to cause cancer, birth defects, reproductive toxicity, and other serious physical injury. Those who clean firearms should take protective measures to avoid contact or exposure to such chemicals.
- D) Using the bore brush with black powder solvent, scrub the interior of the barrel and chambers to remove any black powder and lead residue in the bore. Always and lastly, swab the interior of the barrels with cotton patch with gun oil to coat and protect the bore and chambers from rust and corrosion.
- E) Any black powder fouling on the firing wall, barrel, etc. can be easily cleaned with a brush and black powder solvent.
- F) All external surfaces should be wiped down with a light coat of rust preventative. Avoid using too much oil as powder, dust or other foreign material may get trapped in the oil. This could lead to congealed deposits which may interfere with the safe and reliable operation of the rifle.
- G) **USE CAUTION** while using solvents in gun bore cleaning. Prolonged or excess contact with solvents can damage the gun's bluing and finish. Be sure to wipe away all excess solvent and then lubricate with oil.
- H) A black powder firearm should be cleaned immediately after firing. In addition, external parts should be wiped with an oiled cloth after handling. A light oil is ordinarily all that is necessary in cleaning if the gun has not been fired. If a gun is used frequently, it must be cleaned after each firing and regularly serviced by a professional gunsmith. If the gun has been stored, remove all excess oil and/or grease before firing. Always check to be sure that no cleaning patch or other obstruction remains in the bore or chambers before firing.

DANGER - AMMUNITION WARNING

Firearms may be damaged and serious personal injury or death to the shooter or bystanders may result from any condition which contributes to the generation of excessive pressure or uncontrolled release of gas within the firearm. Such adverse conditions can be caused by bore or chamber obstruction, propellant overloads or by using smokeless powder in a black powder only firearm. It is extremely dangerous to use smokeless powder in a black powder only firearm; the pressure generated is much greater than what even the strongest replicas can withstand.

AMMUNITION (CARTRIDGES) NOTICE

We specifically disclaim responsibility for any damage, personal injury or death occurring in connection with or as the result of the use of Pedersoli rifles with faulty, non standard black powder, or with smokeless powder.

LUBRICATION WARNING

Firing a rifle with oil, grease or any other material even partially obstructing the bore may result in damage to the rifle and personal injury to the shooter and those nearby. Do not spray or apply lubricants directly on black powder or percussion caps. If the primer or black powder charge is affected by the lubricant, they may not fully ignite yet the energy generated by primer and/or black powder may be sufficient to push the projectile or wad into the bore where it may become lodged. Firing a subsequent load into the obstructed bore will damage the rifle and may cause personal injury to the shooter and those nearby. Use lubricants properly. You are responsible for the proper care and maintenance of your firearm and ammunition.

WARRANTY

This Pedersoli. firearm is warranted to the original retail customer for life from date of purchase against defects in material and workmanship. All parts and labour or replacement **at our option** are covered. Wood Stock and Wood Forend are not covered by this Lifetime Warranty. The warranty on the wood stock and fore end is 60 days from purchase and only covers manufactured and material defects. **Transportation to and from our repair facilities**, government fees, damage caused by failure to perform normal maintenance, damage due to use of high velocity, high pressure, reloaded or other non-standard ammunition, or any unauthorized repair, modification, misuse, abuse, or alteration of the product is not covered by this Limited Warranty.

Any implied warranties, including the implied warranties of merchantability and fitness for a particular purpose, are limited to 1 year from date of original retail purchase. Consequential or incidental damages and/or expenses, or any other expenses are not covered by this warranty.

WARNING - ALTERATIONS OR MODIFICATIONS

Altering or modifying parts and/or internal safeties is dangerous and will void the warranty. This rifle was manufactured to perform properly with the original parts as designed. It is your duty to make sure any parts you buy are made for this firearm and are installed correctly and that neither the replacements nor originals are altered or changed. Your gun is a complex precision tool with many parts that must relate correctly to other parts in order for proper and safe operation. Putting a gun together wrong or with incorrect or modified parts can result in a damaged gun, danger, and personal injury or death to you and others through malfunction. Always have a qualified gunsmith work on your gun or at least check any work not performed by a gunsmith.

⚠ WARNING

Children are attracted to and can operate firearms that can cause severe injuries or death.

Prevent child access by always keeping guns locked away and unloaded when not in use. If you keep a loaded firearm where a child obtains and improperly uses it, you may be fined or sent to prison.

⚠ ADVERTENCIA

A los niños les atraen las armas de fuego y pueden hacerlas funcionar. Ellos pueden causarse lesiones graves y la muerte.

Evite que los niños tengan acceso a las armas de fuego guardándolas siempre con llave y descargadas cuando no las esté utilizando. Si usted tiene un arma de fuego cargada en un lugar en que un niño tiene acceso a ella y la usa indebidamente le pueden dar una multa y enviarlo a la cárcel.



**PEDERSOLI DAVIDE & C
25063 / 57 Artigiani ST.
Gardone Val Trompia , BS – Italy
www.davide-pedersoli.com**

