



A. Uberti S.p.A.

Via Artigiani, 1 - Gardone V.T. (Brescia) - ITALY

Instruction Manual

BEFORE REMOVING THE FIREARM FROM THIS PACKAGE,
READ & UNDERSTAND THE PRECAUTIONS IN THE
INSTRUCTIONS MANUAL

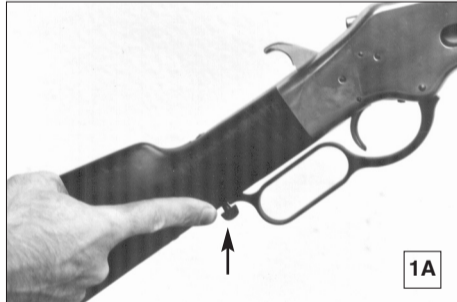
1876 MOD. RIFLE

SPECIAL SAFETY INSTRUCTIONS

- 1) Uberti lever action rifles should never be carried with a cartridge in the chamber.
- 2) Carrying this style of rifle with a cartridge in the chamber can result in an accidental discharge if the firearm is accidentally dropped or if the hammer is struck.
- 3) The lever locking mechanism is designed to prevent an accidental discharge. However, no mechanical device is foolproof and, accordingly, these procedures must be followed.
- 4) Due to the fact that in a tubular magazine rifle the cartridges are stacked one behind the other, only factory ammunition should be used.
- 5) We recommend against using old ammunition in these rifles as primers, powder and brass cartridge cases can deteriorate and cause damage to the rifle or injury to the shooter or others.
- 6) Uberti assumes no liability for incidents occurring through the use of reloaded ammunitions.
Use **ONLY COMMERCIALY** loaded cartridges that have been loaded in accordance with SAAMI-C.I.P. standards.

TO LOAD THE FIREARM

(1) Turn the lever locking latch to the release position. Releasing the latch should allow the lever to go down approximately 1/2". Do not push the lever forward. (Photos 1A-1B).



(2) Load the tubular magazine by pressing the cartridge into the ladle, which is located on the right side of the receiver. Push the cartridge forward and insert it into the tubular magazine (Photo 2).



When loading cartridges through the ladle, leave the rim of each cartridge protruding sufficiently to hold the ladle open.

When loading the last cartridge, insert it fully into the magazine thereby allowing the ladle to close. For optimum reliability, only load 10 cartridges in the 24" rifle. Models equipped with the 30" barrel should be limited to 12 cartridges; the 19" and 20" carbines should be limited to 8 cartridges. Overloading the magazine may result in improper feeding.

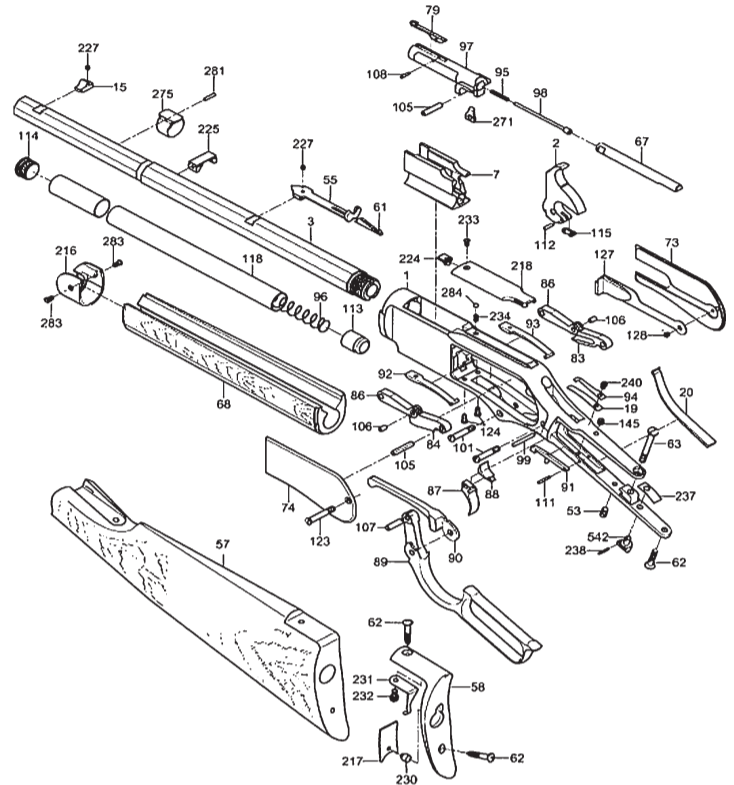
(3) When you are ready to actually fire the firearm, the lever is pushed forward as far as it will go and is then pulled straight back. Your finger should **NOT TOUCH THE TRIGGER** while manipulating the lever. (Photo 3).



N.	Code No.	Q.ty	Description	N.	Code No.	Q.ty	Description
1	2500001	1	Frame Assembly	106	0200106	2	Link Pin
2	2500002	1	Hammer Assembly	107	0200107	2	Lever Pin
3	2500003	1	Barrel 28" Cal.45-60	108	0081030	1	Extractor Pin
7	2500007	1	Carrier Block	111	0240111	1	Safety Spring Pin
15	0202015	1	Sight	112	0200112	1	Stirrup Pin
19	0240019	1	Trigger Spring	113	2500113	1	Magazine Follower
20	2500020	1	Main Spring	114	2500114	1	Magazine Tube Plug
53	0240053	1	Main Spring Adj. Screw	115	0200115	1	Hammer Stirrup
55	0242055	1	Rear Assembly	118	2500118	1	Magazine Tube
57	2500057G	1	Rough Butt Stock	123	2500123	1	Side Plate Screw
57	2500057	1	Polished Butt Stock & Plate	124	0200124	2	Lever Spring Screw
58	2500058G	1	Rough Butt Plate	127	2500127	1	Ladle
61	0242061	1	Rear Sight	128	0240128	1	Ladle Screw
62	0200062	3	Butt Plate Screw	145	0400145	1	Peep Sight Plug Screw
63	0240063	1	Tang Screw	216	2500216	1	Forend Protection
67	2500067	1	Firing Pin Extension	217	0880217	1	Butt Plate Gate
68	2500068G	1	Rough Forend	218	2500218	1	Protection Running
68	2500068	1	Polished Forend	224	0240224	1	Protection Running Guide
73	2500073	1	Right Side Plate	225	2500225	1	Forend Protection Bearing
74	2500074	1	Left Side Plate	227	0240227	2	Rear Base Screw
79	2500079	1	Extractor	230	0870230	1	Gate Pin
83	2500083	1	Right Rear Link	231	0880231	1	Butt Plate Gate Spring
84	2500084	1	Left Rear Link	232	0880232	1	Butt Plate Gate Spring Screw
86	2500086	2	Front Link	233	0240233	1	Protection Running Screw
87	0240087	1	Trigger (Lower)	234	4510095	1	Protection Running Spring
88	0240088	1	Trigger (Upper)	238	0240238	1	Lever Hook Pin
89	2500089	1	Lever	240	0240240	1	Trigger & Lever Screw
90	2500090	1	Lifter Arm	271	2500271	1	Firing Pin Extension Stop
91	2500091	1	Safety Bar	275	2500275	1	Magazine Tube Bearing
92	2500092	1	Right Lever Spring	281	0202281	1	Magazine Tube Bearing Pin
93	2500093	1	Left Lever Spring	283	2500283	2	Forend Protection Screw
94	0240094	1	Safety Spring	284	0240284	1	Protection Running Sphere
95	0070016	1	Firing Pin Spring	542	0240542	1	Lever Hook
96	2500096	1	Magazine Spring				
97	2500097	1	Breech Block				
98	2500098	1	Firing Pin				
99	2500099	1	Trigger Pin				
101	2500101	1	Lever Screw				
105	0200105	2	Rear Link Pin				

ALTERNATIVES

3	2501003	1	Barrel 28" Cal.45-75
3	2502003	1	Barrel 28" Cal.40-60
3	2503003	1	Barrel 28" Cal.50-95



The rifle will now be fully cocked and will fire when the trigger is pulled. If the lever does not go forward, release the loading lever latch by turning the small knob perpendicular to the rifle.

(4) These firearms have been equipped with an additional safety system, which should prevent the firearm from firing until the lever is squeezed flush with the frame. This safety, however, is not designed to replace basic safe firearms handling. Accordingly, **NEVER** touch the trigger until you intend to fire. (Photos 5A-5B).



(5) After you have fired the first shot, the next cartridge is loaded by repeating step 3.

UNLOADING THE FIREARM

(6) To unload the firearm it is essential that the lever not be squeezed flush with the frame, as doing so would disengage the safety lock.

(7) With the firearm pointed in a safe direction, place your fingers through the rear portion of the loading lever. Be sure your first and second fingers are inside the lever loop. **DO NOT TOUCH THE TRIGGER.** Then push the lever straight forward and then pull it back. The cartridge that was in the chamber should be automatically ejected by the firearm and another cartridge from the magazine will be automatically loaded into the firearm. (Photo 4).



(8) Repeat step 7 until all cartridges have been ejected from the firearm.

After all cartridges have been ejected, cycle the action four or five more times as described in step 7 as an added precaution to assure that all rounds were ejected.

(9) After step 8, move the lever to the forward position while visually inspecting **both the chamber and the carrier block**, to confirm that no cartridges are still in the firearm.

(10) Pull the lever to the rear, squeeze the loading lever flush with the frame and with your thumb on the hammer, pull the trigger and with your thumb slowly lower the hammer.

(11) We suggest, when the firearm is not in use, that the loading lever locking mechanism be left disengaged.